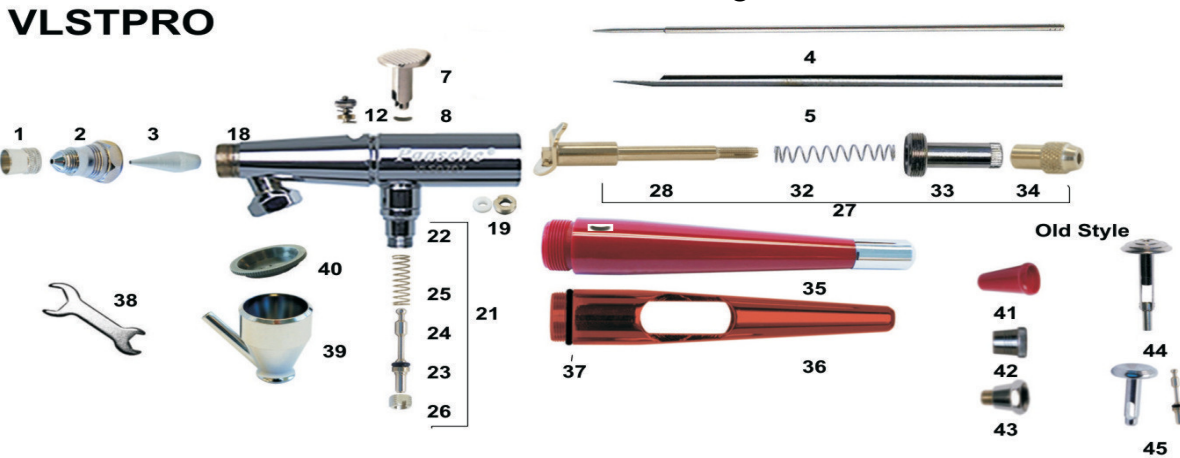


## Paasche VLSTPRO#3 0.74mm Series Airbrush

### Siphon Feed Dual Action

Screw on connection for Bottle Assemblies

#### Illustrated Parts Listing



Item #	Part No.	Description
1	XI-41	Needle Protecting Cap
2	VLH-3	Head #3
3	VLT-3	Tip #3
4	VLN-3	Needle #3
6	VL-231	Slanted Trigger
12	VL-175	Line Adjustment Assembly
18	VLS-163	VLS Shell Assembly w/VL20 - Screw On
19	MU-612	PTFE Packing & Packing Nut
21	VL-215	Air Valve Assembly
22	VL-20	Valve Casing
23	A-53	Valve Washer (Pack of 6)
24	VL-214	Valve Plunger w/A-53
25	A-22	Valve Spring
26	A-23R	Air Valve Nut
27	VL-186	Needle Valve Assem.
28	VL191A	Rocker Assembly
32	VL-140	Spring
33	VL-136A	Needle Adjusting Sleeve
34	VL-141	Locknut
36	HVL-202	Metal Handle w/Cut Out (Aluminum)
37	VL-224	Handle O-ring

#### Optional

5	VL-54	Reamer
7	VL-229	Trigger
8	TAL-26	O-ring
35	VL-134N	Handle
38	V-62	Wrench
39	VL1/4oz	1/4 oz Color Cup
40	HVL1/4	Color Cup Cap
N/A	VL227-3	VL#3 Head, Tip and NeedleSet

Item #	Part No.	Description
N/A	VL10RK	VI Repair Kit less Head components
N/A		<a href="#">Use VLS Series Bottle Assemblies</a>

#### Old Style Parts

41	VL-189	Head Protecting Cap
42	VLA-1	Air Cap #1
42	VLA-3	Air Cap #3
42	VLA-5	Air Cap #5
43	VLB	Air Cap Body
44	VL-174	Trigger w/elbow Plunger <b>DISCONTINUED</b>
		replace with
28	VL-174	New Finger Lever Asembly (Trigger, Plunger and O-Ring)

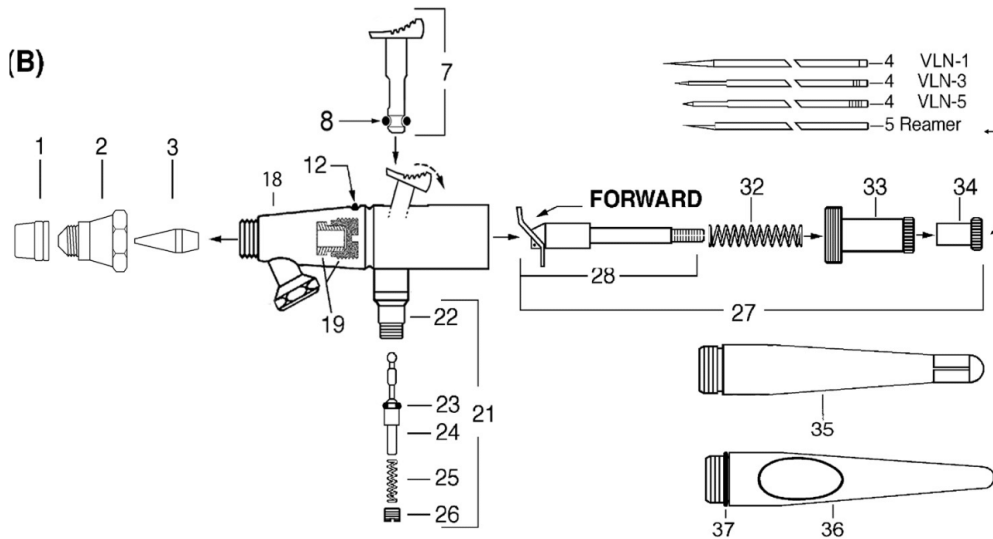
#### To Change VLSTPRO#3 to VLSTPRO#1 change the following Parts for Optimum Performance:

2	VLH-1	Head #1
3	VLT-1	Tip #1
4	VLN-1	Needle #1 or
4	VLN-1POL	Needle #1 Polished
N/S	VL227-1	VL#1 Head, Tip and Needle Set

#### To Change VLSTPRO#3 to VLSTPRO#5 change the following Parts for Optimum Performance:

2	VLH-5	Head #5
3	VLT-5	Tip #5
4	VLN-5	Needle #5
N/S	VL227-5	VL#5 Head, Tip and Needle Set

See next Page for schematic



NO.	PART	DESCRIPTION
1.	XI-41	Needle Protecting Cap
2.	VLH-1, 3 or 5	Head (Specify Size)
3.	VLT-1, 3 or 5	Tip (Specify Size)
4.	VLN-1, 3 or 5	Needle (Specify Size)
7.	VL-231	Slanted Trigger
8.	TAL-26	O-ring
12.	VL-175	Line Adjustment Assembly
18.	VLS-163	Shell Assembly W/VL-20
19.	MU-612	PTFE Packing & Packing Nut
21.	VL-215	Air Valve Assembly
22.	VL-20	Valve Casing
24.	VL-214	Valve Plunger (with A-53)
25.	A-22	Valve Spring
26.	A-23R	Air Valve Nut
27.	VL-186	Needle Valve Assem. L/Needle
28.	VL-191A	Rocker Assembly
32.	VL-140	Spring
33.	VL-136A	Needle Adjusting Sleeve
34.	VL-141	Locknut
36.	HVL-202	Anodized Aluminum Handle

**Optional Items:**

4.	VLN-1POL	Hand Polished Needle
5.	VL-54	Reamer
6.	VL-229	Standard Trigger
23.	A-53	Valve 'O' Ring (pack of 6)
35.	VL-134N	Airbrush Handle
37.	VL-224	O-ring

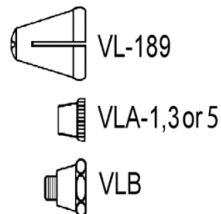
**VL-227-1, 3 or 5** Multiplehead (Specify Size)

VLH-1, 3 or 5	Head (Specify Size)
VLT-1, 3 or 5	Tip (Specify Size)
VLN-1, 3 or 5	Needle (Specify Size)

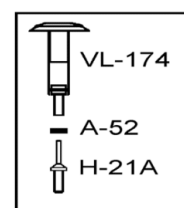
**AIRHOSES W/FACTORY INSTALLED COUPLINGS**

A-1/8-size	Braided Airhose W/Couplings (6', 8', 10', 15', 20', 25' & 50')
HPB-1/8-10	PVC-Black Plastic Airhose W/Couplings (10')

**Old Style Head  
Parts still available**



**VL-229 & VL-214  
Replace Old Style  
Parts: VL-174,  
A-52 and H-21A**



**WARNING:** Spray materials may be harmful if inhaled or allowed to come into contact with the skin or eyes. Consult the product label and material safety data sheet supplied for the spray material. Follow all safety precautions. **CAUTION:** Well Ventilated Area Required to remove fumes, dust or overspray. **Maximum Air Pressure 75 P.S.I.**

**For Multi-Language Manuals Go To: [www.paascheairbrush.com](http://www.paascheairbrush.com)**