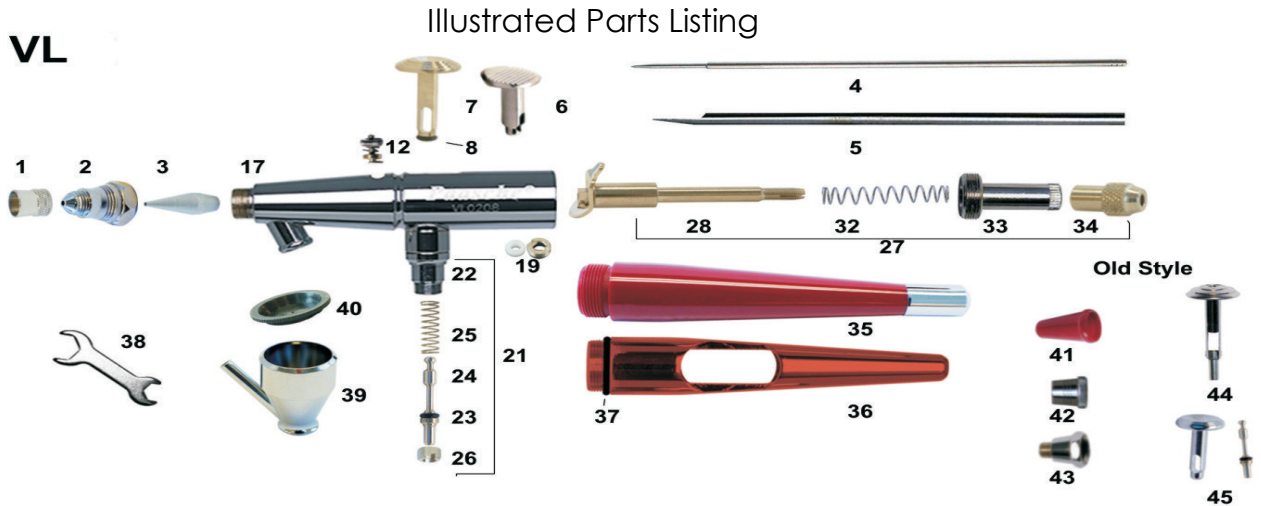


Paasche VL#5 (1.05 mm) Series Airbrush

Siphon Feed Dual Action

Friction Held connection for Bottle Assemblies

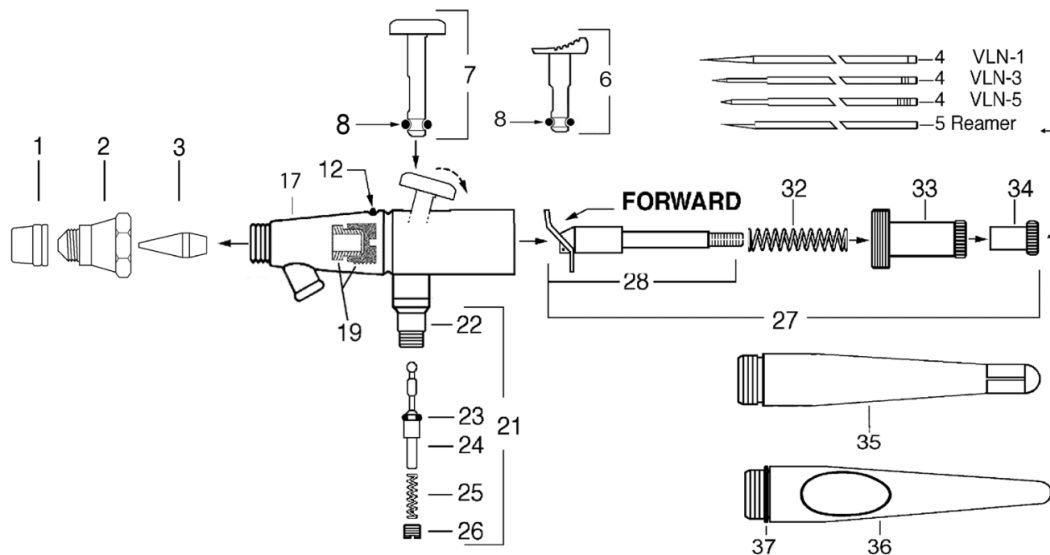


Item #	Part No.	Description	Item #	Part No.	Description
1	XI-41	Needle Protecting Cap	N/S	VL10RK	Repair Kit
2	VLH-5	Head #5 (1.05mm)			(VL-229, VL-214, A-22, A-23R, A-53, VL-191A, MU-612, VL-140, VL-136A, VL-141 and XI-41)
3	VLT-5	Tip #5 (1.05mm)	N/S		Uses VL Series Bottle Assemblies
4	VLN-5	Needle #5 (1.05mm)			
7	VL-229	Trigger w/O-ring			
8	TAL-26	Triger O-ring			
12	VL-175	Line Adjustment Assemble			
17	VL-163	VL Shell Assemble w/VL-20 - Friction			
19	MU-612	PTFE Packing & Packing Nut			
21	VL-215	Air Valve Assemble			
22	VL-20	Valve Casing			
23	A-53	Valve Washer (Pack of 6)			
24	VL-214	Valve Plunger w/A-53			
25	A-22	Valve Spring			
26	A-23R	Air Valve Nut			
27	VL-186	Needle Valve Assemble			
28	VL191A	Rocker Assembly			
32	VL-140	Spring			
33	VL-136A	Needle Adjusting Sleeve			
34	VL-141	Locknut			
35	VL-134N	Handle			
37	VL-224	Handle O-ring			
Optional					
5	VL-54	Reamer			
6	VL-231	Slanted Trigger			
36	HVL-202	Metal Handle w/Cut Out (Aluminum)			
38	V-62	Wrench			
39	VL1/4oz	1/4 oz Color Cup			
40	HVL1/4	Color Cup Cap			
N/S	VL227-5	VL#5 ((1.05mm)) Head, Tip and Needle Set			
					Old Style Parts
41	VL-189	Head Protecting Cap			
42	VLA-1	Air Cap #1			
42	VLA-3	Air Cap #3			
42	VLA-5	Air Cap #5			
43	VLB	Air Cap Body			
44	VL-174	Trigger w/elbow Plunger			
		DISCONTINUED replace with			
45	VL-174	New Finger Lever Assemble (Trigger, Plunger and O-Ring)			
To Change VL#5 to VL#1 change the following Parts for Optimum Performance:					
2	VLH-1	Head #1 (0.55mm)			
3	VLT-1	Tip #1 (0.55mm)			
4	VLN-1	Needle #1 (0.55mm) <i>or</i>			
4	VLN-1POL	Needle #1 (0.55mm) Polished			
N/S	VL227-1	VL#1 (0.55mm) Head, Tip and Needle Set			
To Change VL#5 to VL#3 change the following Parts for Optimum Performance:					
2	VLH-3	Head #3 (0.74mm)			
3	VLT-3	Tip #3 (0.74mm)			
4	VLN-3	Needle #3 (0.74mm)			
N/S	VL227-3	VL#3 (0.74mm) Head, Tip and Needle Set			

See next Page for schematic

Available from: *Dixie Art Airbrush* • www.dixieart.com • 800.783-2612 /

504.466.6556



NO. PART DESCRIPTION

- 1. XI-41 Needle Protecting Cap
- 2. VLH-1, 3 or 5 Head (Specify Size)
- 3. VLT-1, 3 or 5 Tip (Specify Size)
- 4. VLN-1, 3 or 5 Needle (Specify Size)
- 7. VL-229 Trigger
- 8. TAL-26 O-ring
- 12. VL-175 Line Adjustment Assembly
- 17. VL-163 Shell Assembly W/VL-20
- 19. MU-612 PTFE Packing & Packing Nut
- 21. VL-215 Air Valve Assembly
- 22. VL-20 Valve Casing
- 24. VL-214 Valve Plunger (with A-53)
- 25. A-22 Valve Spring
- 26. A-23R Air Valve Nut
- 27. VL-186 Needle Valve Assem. L/Needle
- 28. VL-191A Rocker Assembly
- 32. VL-140 Spring
- 33. VL-136A Needle Adjusting Sleeve
- 34. VL-141 Locknut
- 35. VL-134N Handle

Optional Items:

- 4. VLN-1POL Hand Polished Needle
- 5. VL-54 Reamer
- 6. VL-231 Slanted Trigger
- 23. A-53 Valve 'O' Ring (pack of 6)
- 36. HVL-202 Metal Handle with Cut-Out
- 37. VL-224 O-ring

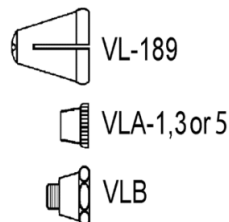
VL-227-1, 3 or 5

- Multiplehead (Specify Size)
- VLH-1, 3 or 5 Head (Specify Size)
- VLT-1, 3 or 5 Tip (Specify Size)
- VLN-1, 3 or 5 Needle (Specify Size)

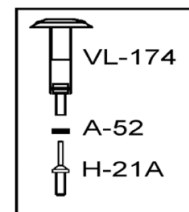
AIRHOSES W/FACTORY INSTALLED COUPLINGS

- A-1/8-size Braided Airhose W/Couplings (6', 8', 10', 15', 20', 25' & 50')
- HPB-1/8-10 PVC-Black Plastic Airhose W/Couplings (10')

Old Style Head Parts still available



VL-229 & VL-214 Replace Old Style Parts: VL-174, A-52 and H-21A



WARNING: Spray materials may be harmful if inhaled or allowed to come into contact with the skin or eyes. Consult the product label and material safety data sheet supplied for the spray material. Follow all safety precautions. **CAUTION:** Well Ventilated Area Required to remove fumes, dust or overspray. **Maximum Air Pressure 75 P.S.I.**

For Multi-Language Manuals Go To: www.paascheairbrush.com