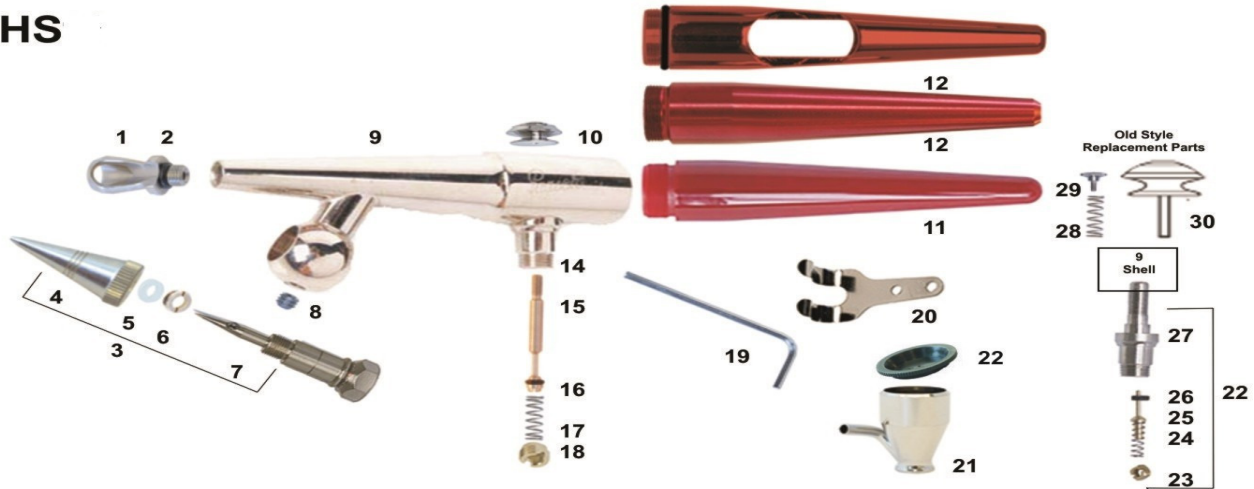


Paasche HS#3 Series Airbrush Siphon Feed Single Action Illustrated Parts Listing

HS



Part No. Description

1	HC-1-3	Aircap w/O-ring #1,#3
2	3A4	O-ring (pack of 6)
3	HS-3	Color Adjusting Part(4-7) #3
4	HT-3	Tip #3
5	H-185	Packing
6	H-184	Packing Nut
7	HNS-1-3	Needle #1, #3
8	H-153	Set Screw
9	H-150N	Shell (w/H-128A Valve Casing)
10	H-155	Finger Button
11	H-143	Handle (Nylon)
14	H-128A	Valve Casing
15	H-192A	Plunger w/A53
16	A-53	Valve Washer (Pack of 6)
17	A-22	Valve Spring
18	A-23R	Air Valve Nut
19	F-186	Wrench
20	A-34	Hanger
21	H-1/4OZ	1/4 oz Color Cup
21A	HVL1/4	Color Cup Cover

Optional

12	HVL-200	Metal Handle (Aluminum)
12	HVL-202	Metal Handle w/Cut Out (Aluminum)
N/A	<u>Uses HS Series Bottle Assemblies</u>	

Old Style Parts

Part No. Description	
22	H175A Air Valve Assemble
23	A-23R Air Valve Nut
24	A-22 Valve Spring 25H-21A Valve Plunger
26	A-52 Value Was
27	H-128A Valve Casing
28	A-143 Needle Guide Spring
29	H-156 Stipple Adjuster
30	H-157 Finger Lever Assemble

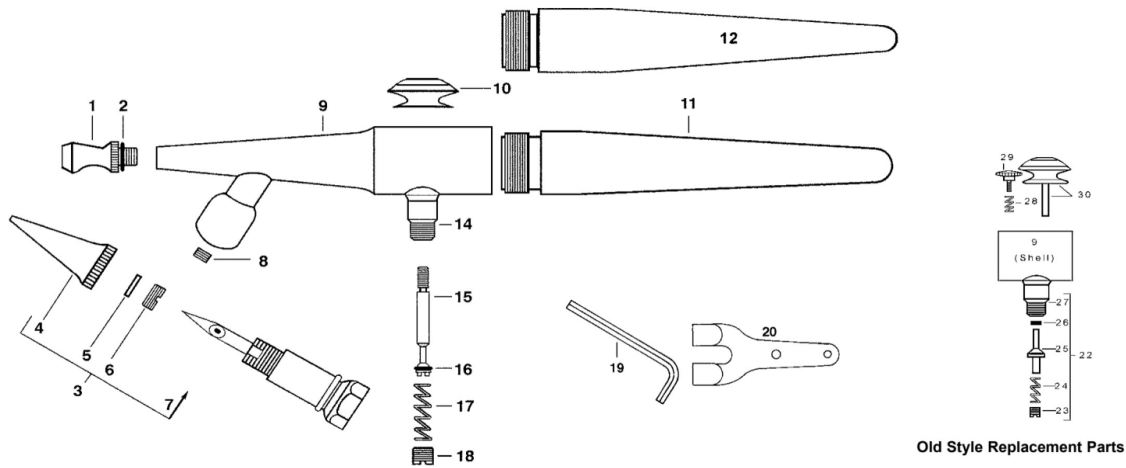
To Change HS#3 to HS#1 change the following Parts

4	HTS-1	Tip #1
or		
3	HS-1	Color Adjusting Part(4-7) #1

To Change HS#3 to HS#5 change the following Parts

1	HC-5	Aircap w/O-ring #5
4	HT-5	Tip #5
7	HNS-5	Needle #5
or		
3	HS-5	Color Adjusting Part(4-7) #5

See next Page for schematic



HS - AIRBRUSH MODEL REPLACEMENT PARTS

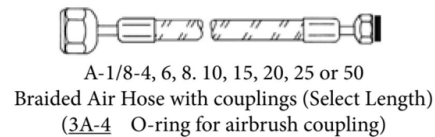
Part No. Description

- 1. **HC-1-3,5** Aircap w/ O-ring (Select Size)
- 2. **3A-4** "O" Ring (Pack of 6)
- 3. **HS-1,3,5** Color Adjusting Part (Select Size)
- 4. **HT-1,3,5** Tip (Select Size)
- 5. **H-185** Packing
- 6. **H-184** Packing Nut
- 7. **HNS-1-3,5** Needle (Select Size)
- 8. **H-153** Set Screw
- 9. **H-150N** Shell (Includes H-128A)
- 10. **H-155** Finger Button
- 11. **H-143** Handle (Nylon)
- 12. **HVL-200** Metal Handle (Aluminum - optional)
- 14. **H-128A** Valve Casing
- 15. **H-192A** Valve Plunger w/ A-53
- 16. **A-53** Valve Washer (Pack of 6)
- 17. **A-22** Valve Spring
- 18. **A-23R** Air Valve Nut
- 19. **F-186** Wrench
- 20. **A-34** Hanger



HS - Old Style Replacement Parts

- 22. **H-175A** Air Valve Assembly
- 23. **A-23R** Air Valve Nut
- 24. **A-22** Valve Spring
- 25. **H-21A** Valve Plunger
- 26. **A-52** Valve Washer (Pack of 6)
- 27. **H-128A** Valve Casing
- 28. **A-143** Needle Guide Spring
- 29. **H-156** Stipple Adjuster
- 30. **H-157** Finger Lever Assembly



Paasche Airbrush Co.
 9511 58th Place Kenosha, WI 53144
 Phone: 773/867-9191 Email: info@paascheairbrush.com
 Website: Paascheairbrush.com

WARNING: Spray materials may be harmful if inhaled or allowed to come into contact with the skin or eyes. Consult the product label and Material Safety Data Sheet supplied for the spray material. Follow all safety precautions. **CAUTION:** Well Ventilated Area Required to remove fumes, dust or overspray. **Maximum Air Pressure 75 P.S.I.**

For Multi-Language Manuals Go To: www.paascheairbrush.com