

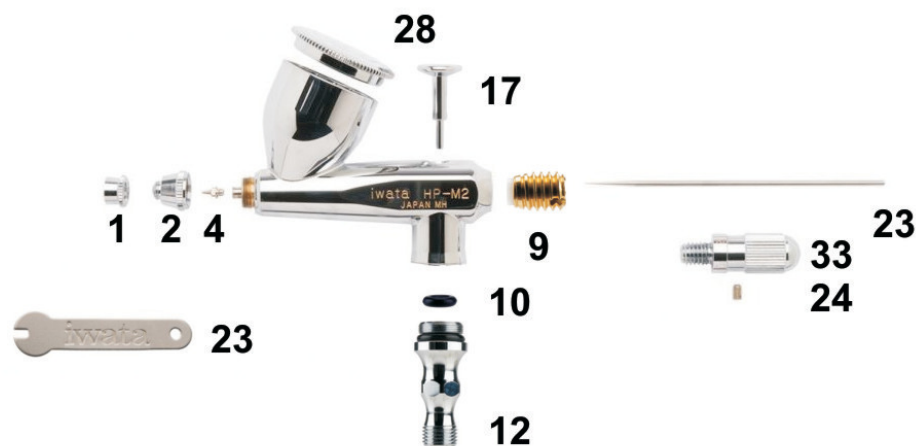
# **Revolution**

## EFFORTLESS COVERAGE™

IWATA REVOLUTION HP-M2 • 0.4 mm  
Single Action Gravity Feed Mini Airbrush

### Illustrated Parts Listing

**HP-M2**



No.	Part No.	Description
1	I 7015	Needle Cap 0.4mm
2	I 7025	Nozzle Cap 0.4mm
4	I 7045	Nozzle 0.4mm
9	I 7251	Packing Screw W/O-ring
10	I 1451	Air Valve O-ring
12	I 7122	Air Valve Set
17	I 7143	Main Lever (Trigger)

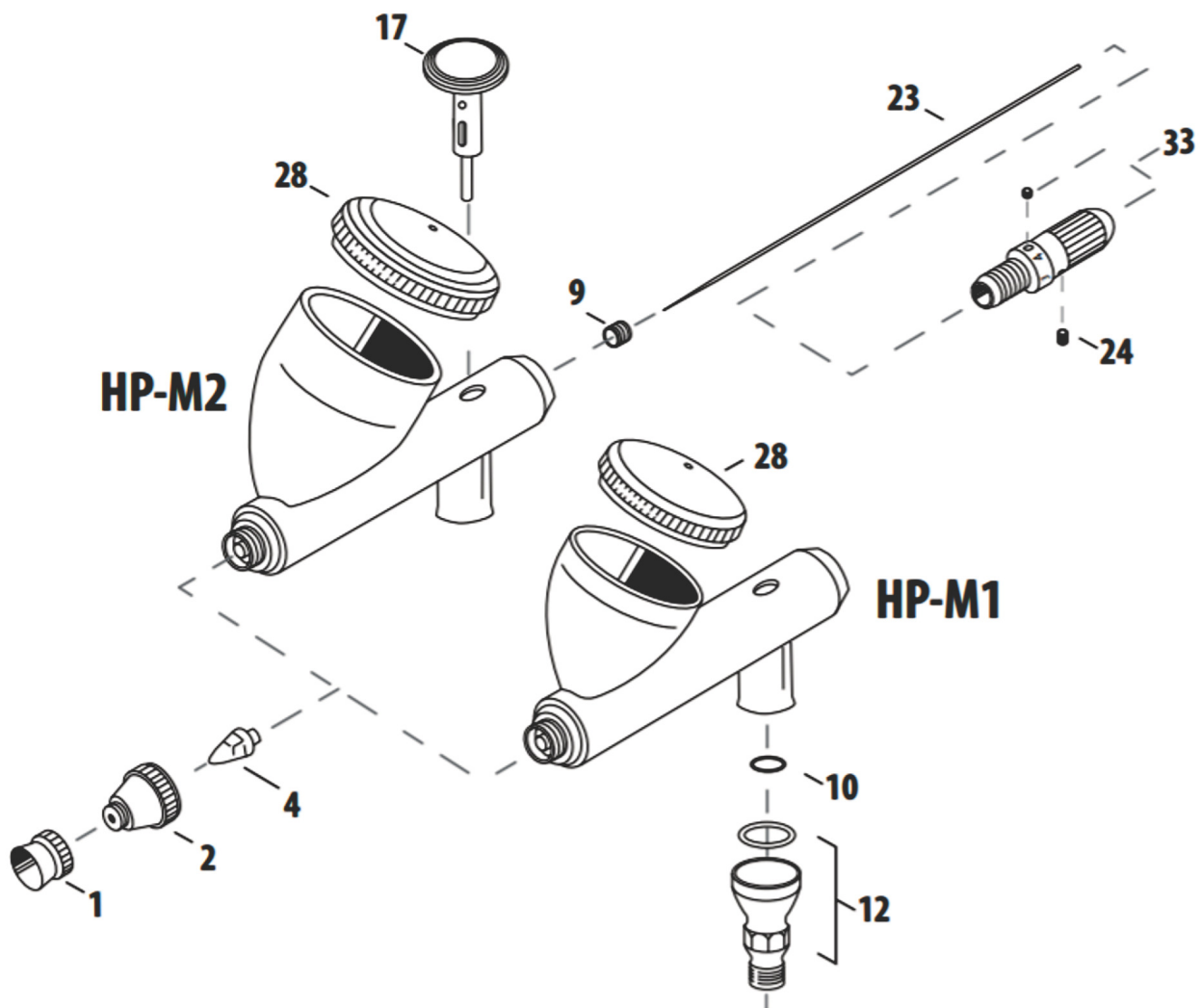
No.	Part No.	Description
23	I 7177	Needle 0.4mm
24	I 7153	Needle Chucking Nut
28	I 6181	Lid
33	I 7222	Fluid Adjustment Valve
32	I 1651	Spanner (Wrench)

Needle, Needle Cap, Nozzle Cap and Nozzle are not interchangeable in this series

See next Page for schematic

Available from:

*Dixie Art Airbrush* • [www.dixieart.com](http://www.dixieart.com) • 800.783-2612



**EFFORTLESS  
COVERAGE**  
手順で手軽

## IWATA REVOLUTION AIRBRUSH SERIES M SERIES HP-M1 / HP-M2

#	ITEM DESCRIPTION	PRICE CODE	ITEM #	HP-M1	HP-M2
1	Needle Cap	0.3	A 17014	■	x
		0.4	A 17015	x	■
2	Nozzle Cap	0.3	C 17024	■	x
		0.4	C 17025	x	■
4	Nozzle	0.3	E 17044	■	x
		0.4	E 17045	x	■
9	Needle Packing Screw Set(PTFE)	B	17251	■	■
10	Air Valve O-ring	A	11451	■	■
12	Air Valve Set	F	17122	■	■

#	ITEM DESCRIPTION	PRICE CODE	ITEM #	HP-M1	HP-M2
17	Main Lever	C	17143	■	■
23	Needle	0.3	E 17176	■	x
		0.4	E 17177	x	■
24	Needle Chucking nut	A	17153	■	■
28	Lid	C	17183	■	x
		C	17184	x	■
33	Fluid Adjustmet Valve	F	17222	■	■
32	Spanner	A	17651	■	■

■ = yes X = no opt = optional

Available from:

*Dixie Art Airbrush* • [www.dixieart.com](http://www.dixieart.com) • 800.783-2612