

# **Revolution**

## EFFORTLESS COVERAGE™

IWATA REVOLUTION HP-M1 • 0.3 mm  
Single Action Gravity Feed Mini Airbrush

### Illustrated Parts Listing

## HP-M1



No.	Part No.	Description
1	I 7014	Needle Cap 0.3mm
2	I 7024	Nozzle Cap 0.3mm
4	I 7044	Nozzle 0.3mm
9	I 7251	Packing Screw W/O-ring
10	I 1451	Air Valve O-ring
12	I 7122	Air Valve Set
17	I 7143	Main Lever (Trigger)

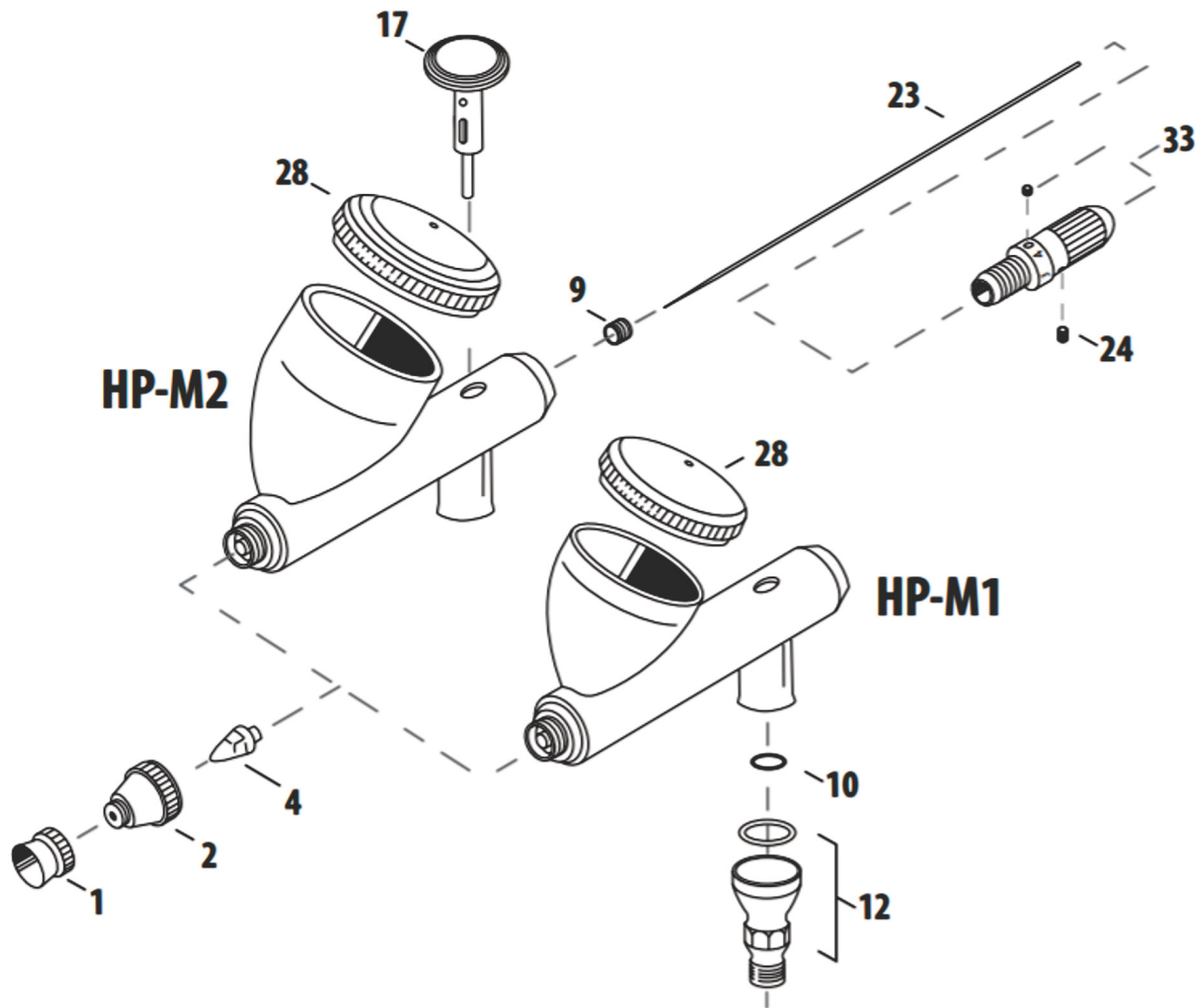
No.	Part No.	Description
23	I 7176	Needle 0.3mm
24	I 7153	Needle Chucking Nut
28	I 7183	Lid
33	I 7222	Fluid Adjustment Valve
32	I 1651	Spanner (Wrench)

Needle, Needle Cap, Nozzle Cap and Nozzle are not interchangeable in this series

See next Page for schematic

Available from:

*Dixie Art Airbrush* • [www.dixieart.com](http://www.dixieart.com) • 800.783-2612



**EFFORTLESS  
COVERAGE**  
手順で手軽

## IWATA REVOLUTION AIRBRUSH SERIES M SERIES HP-M1 / HP-M2

#	ITEM DESCRIPTION		PRICE CODE	ITEM #	HP-M1	HP-M2
1	Needle Cap	0.3	A	I7014	■	x
		0.4	A	I7015	x	■
2	Nozzle Cap	0.3	C	I7024	■	x
		0.4	C	I7025	x	■
4	Nozzle	0.3	E	I7044	■	x
		0.4	E	I7045	x	■
9	Needle Packing Screw Set(PTFE)		B	I7251	■	■
10	Air Valve O-ring		A	I1451	■	■
12	Air Valve Set		F	I7122	■	■

#	ITEM DESCRIPTION		PRICE CODE	ITEM #	HP-M1	HP-M2
17	Main Lever		C	I7143	■	■
23	Needle	0.3	E	I7176	■	x
		0.4	E	I7177	x	■
24	Needle Chucking nut		A	I7153	■	■
28	Lid		C	I7183	■	x
			C	I7184	x	■
33	Fluid Adjustmet Valve		F	I7222	■	■
32	Spanner		A	I7651	■	■

■ = yes x = no opt = optional

Available from: *Dixie Art Airbrush* • [www.dixieart.com](http://www.dixieart.com) • 800.783-2612