

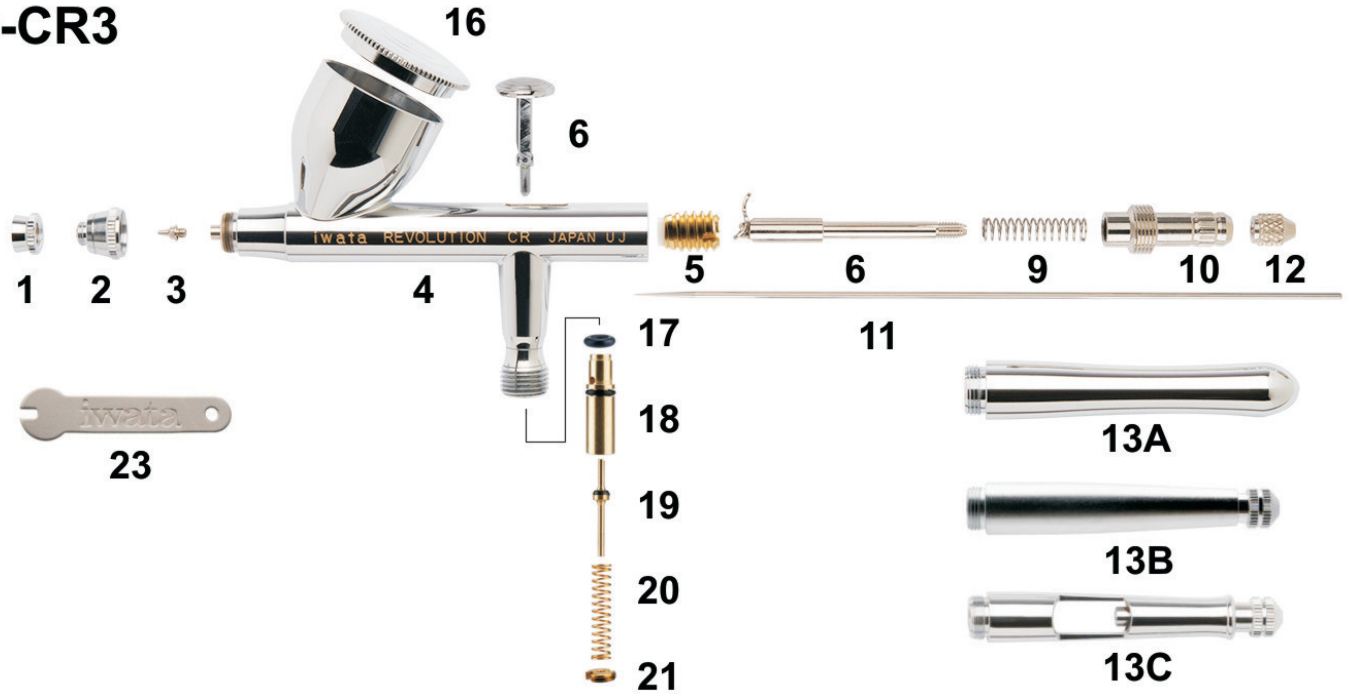
Revolution

EFFORTLESS COVERAGE™

IWATA REVOLUTION HP-CR3 • 0.3 mm
Gravity Feed Dual Action Airbrush

Illustrated Parts Listing

HP-CR3



No.	Part No.	Description
1	i 7012	Needle Cap 0.3MM (R3)
2	i 7022	Head Cap 0.3MM (R3)
3	i 7042	Nozzle 0.3mm (R3)
4	N/A	Body HP-CR3
5	i 1257	Packing Screw W/O-ring 0.3mm (R3)
6	i 6121	Main Lever (Trigger)
8	i 1157	Needle Chucking Guide W/aux.

Lever

9	i 1351	Needle Spring
10	i 7701	Needle Spring Guide
11	i 0751	Needle 0.3mm (R3)
12	i 1202	Needle Chucking Nut
13A	i 7191	Handle (Ergonomic)

No.	Part No.	Description
16	i 6181	Lid
17	i 5801	Packing - Air Valve (O-ring)
18	i 6081	Air Valve Guide Body
19	i 6091	Air Valve Piston
20	i 0351	Air Valve Spring
21	i 6111	Air Valve Guide Screw
23	i 1651	Spanner (Wrench)

OPTIONAL

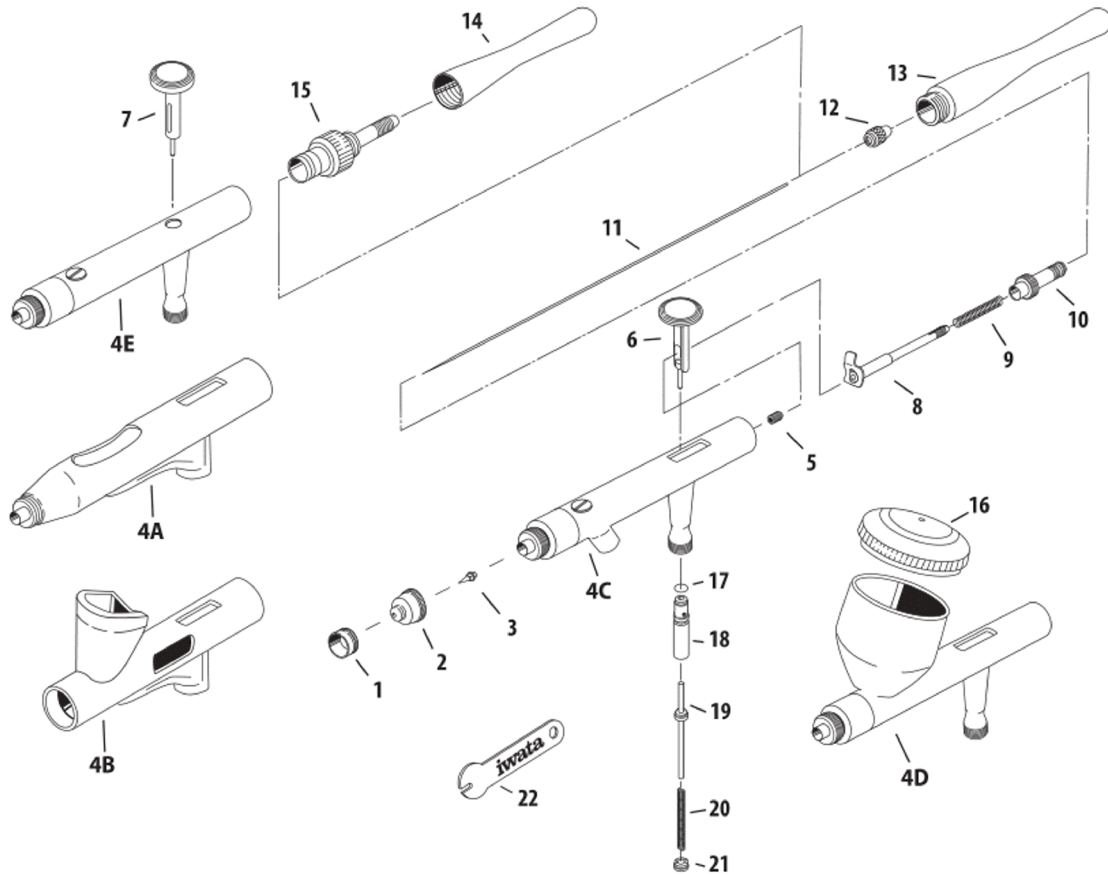
13B	i 1552	Handle (Pre-Set) (Opt)
13C	i 1556	Preset Cutaway Handle

Needle, Needle Cap, Nozzle Cap and Nozzle are not interchangeable in this series

See next Page for schematic

Available from:

Dixie Art Airbrush • www.dixieart.com • 800.783-2612



#	ITEM DESCRIPTION	PRICE CODE	ITEM #	HP-AR	HP-BR	HP-BCR	HP-CR	HP-CR3	HP-SAR	
1	Needle Cap	R3	A	I7012	■	■	x	x	■	x
		R5	A	I7011	x	x	■	■	x	■
2	Nozzle Cap	R3	C	I7022	■	■	x	x	■	x
		R5	C	I7021	x	x	■	■	x	■
3	Nozzle	R3	E	I7042	■	■	x	x	■	x
		R5	E	I7041	x	x	■	■	x	■
4A	HP-AR Body*	-	-	■	x	x	x	x	x	
4B	HP-BR Body*	-	-	x	■	x	x	x	x	
4C	HP-BCR Body*	-	-	x	x	■	x	x	x	
4D	HP-CR / HP-CR3 Body*	-	-	x	x	x	■	■	x	
4E	HP-SAR Body*	-	-	x	x	x	x	x	■	
5	Needle Packing Screw Set (PTFE)	R3	B	I1257	■	■	x	x	■	x
		R5	B	I7251	x	x	■	■	x	■
6	Main Lever	C	I6121	■	■	■	■	■	x	
7	Main Lever	C	I6122	x	x	x	x	x	■	
8	Needle Chucking Guide w/Aux Lever	C	I1157	■	■	x	x	■	x	
		C	I7151			■	■	x	x	

#	ITEM DESCRIPTION	PRICE CODE	ITEM #	HP-AR	HP-BR	HP-BCR	HP-CR	HP-CR3	HP-SAR	
9	Needle Spring	A	I1351	■	■	■	■	■	x	
10	Spring Guide	A	I7701	■	■	■	■	■	x	
11	Needle	R5	B	I6171	x	x	■	■	x	■
		R3	B	I0751	■	■	x	x	■	x
13	Ergonomic Handle	D	I7191	■	■	■	■	■	x	
	Preset Handle	D	I1552	OPT	OPT	OPT	OPT	OPT	x	
	Preset Cutaway Handle	G	I1556	OPT	OPT	OPT	OPT	OPT	x	
14	Ergonomic Handle		I7192	x	x	x	x	x	■	
15	Fluid Adjustment Knob	D	I7221	x	x	x	x	x	■	
16	Lid	C	I6181	x	x	x	■	■	x	
17	Air Valve O-ring	B	I5801	■	■	■	■	■	■	
18	Valve Guide Body	B	I6081	■	■	■	■	■	■	
19	Air Valve	A	I6091	■	■	■	■	■	■	
20	Air Valve Spring	A	I0351	■	■	■	■	■	■	
21	Air Valve Guide Screw	B	I6111	■	■	■	■	■	■	
22	Bottle	1 oz / 30 ml	-	A4701	x	x	■	x	x	■
23	Spanner	A	I1651	■	■	■	■	■	■	

■ = yes X = no OPT = optional
*Replacement parts not available.

Available from: *Dixie Art Airbrush* • www.dixieart.com • 800.783-2612