

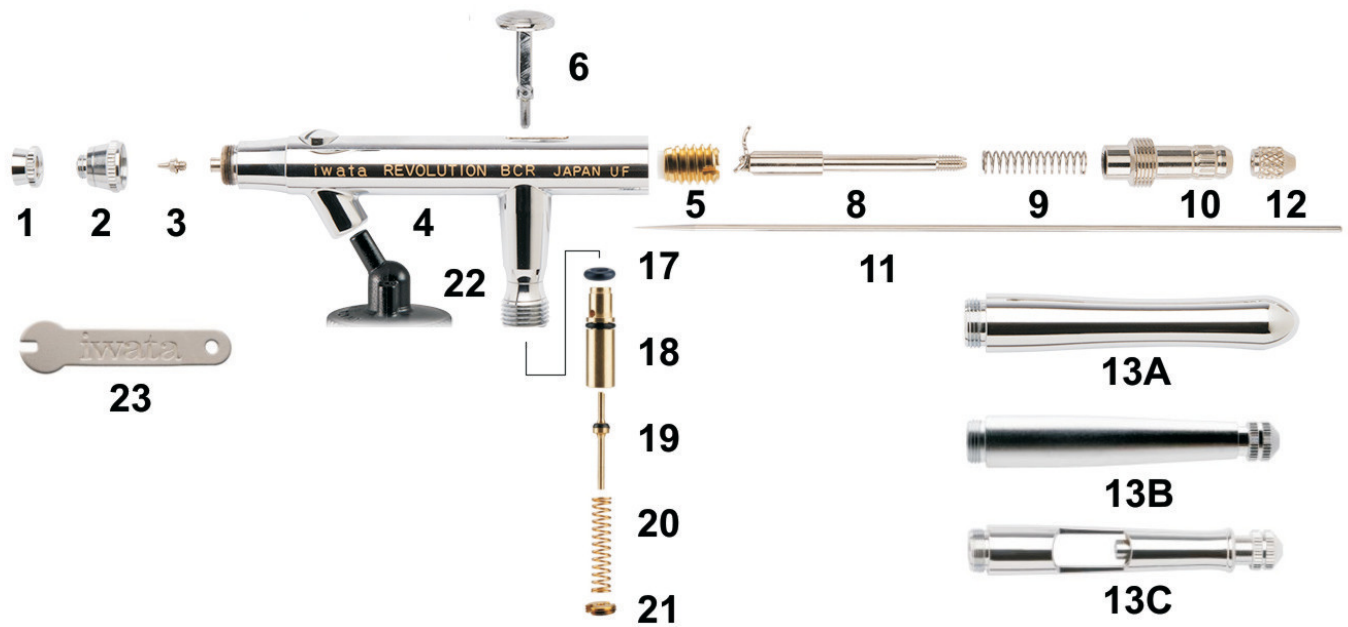
# **Revolution**

## EFFORTLESS COVERAGE™

IWATA REVOLUTION HP-BCR • 0.5 mm  
Siphon Feed Dual Action Airbrush

### Illustrated Parts Listing

## HP-BCR



No.	Part No.	Description
1	i 7011	Needle Cap 0.5MM (R5)
2	i 7021	Head Cap 0.5MM (R5)
3	i 7041	Nozzle 0.5mm (R5)
4	N/A	Body HP-BCR
5	i 7251	Packing Screw W/O-ring 0.5mm (R5)
6	i 6121	Main Lever (Trigger)
8	i 7151	Needle Chucking Guide W/aux.

#### Lever

9	i 1351	Needle Spring
10	i 7701	Needle Spring Guide
11	i 6171	Needle 0.5mm (R5)
12	i 1202	Needle Chucking Nut
13A	i 7191	Handle (Ergonomic)
17	i 5801	Packing - Air Valve (O-ring)

No.	Part No.	Description
18	i 6081	Air Valve Guide Body
19	i 6091	Air Valve Piston
20	i 0351	Air Valve Spring
21	i 6111	Air Valve Guide Screw
22	<a href="#">See Iwata Bottle Assemblies</a>	
23	i 1651	Spanner (Wrench)

#### OPTIONAL

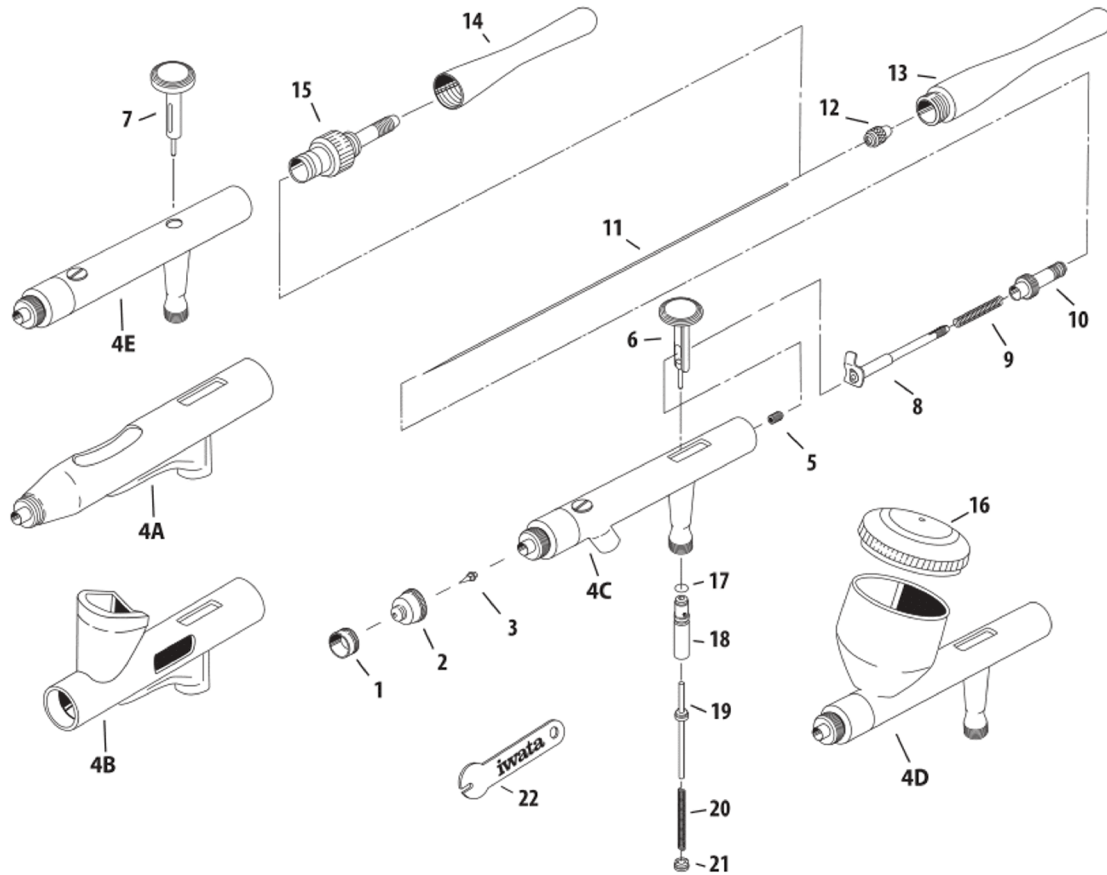
13B	i 1552	Handle (Pre-Set) (Opt)
13C	i 1556	Preset Cutaway Handle

Needle, Needle Cap, Nozzle Cap and Nozzle are not interchangeable in this series

See next Page for schematic

Available from:

*Dixie Art Airbrush* • [www.dixieart.com](http://www.dixieart.com) • 800.783-2612



#	ITEM DESCRIPTION	PRICE CODE	ITEM #	HP-AR	HP-BR	HP-BCR	HP-CR	HP-CR3	HP-SAR
1	Needle Cap	R3	A 17012	■	■	x	x	■	x
		R5	A 17011	x	x	■	■	x	■
2	Nozzle Cap	R3	C 17022	■	■	x	x	■	x
		R5	C 17021	x	x	■	■	x	■
3	Nozzle	R3	E 17042	■	■	x	x	■	x
		R5	E 17041	x	x	■	■	x	■
4A	HP-AR Body*	-	-	■	x	x	x	x	x
4B	HP-BR Body*	-	-	x	■	x	x	x	x
4C	HP-BCR Body*	-	-	x	x	■	x	x	x
4D	HP-CR / HP-CR3 Body*	-	-	x	x	x	■	■	x
4E	HP-SAR Body*	-	-	x	x	x	x	x	■
5	Needle Packing Screw Set (PTFE)	R3	B 11257	■	■	x	x	■	x
		R5	B 17251	x	x	■	■	x	■
6	Main Lever	C	16121	■	■	■	■	■	x
7	Main Lever	C	16122	x	x	x	x	x	■
8	Needle Chucking Guide w/Aux Lever	C	11157	■	■	x	x	■	x
		C	17151			■	■	x	x

#	ITEM DESCRIPTION	PRICE CODE	ITEM #	HP-AR	HP-BR	HP-BCR	HP-CR	HP-CR3	HP-SAR
9	Needle Spring	A	11351	■	■	■	■	■	x
10	Spring Guide	A	17701	■	■	■	■	■	x
11	Needle	R5	B 16171	x	x	■	■	x	■
		R3	B 10751	■	■	x	x	■	x
12	Needle Chucking Nut	A	11202	■	■	■	■	■	■
13	Ergonomic Handle	D	17191	■	■	■	■	■	x
	Preset Handle	D	11552	OPT	OPT	OPT	OPT	OPT	x
	Preset Cutaway Handle	G	11556	OPT	OPT	OPT	OPT	OPT	x
14	Ergonomic Handle		17192	x	x	x	x	x	■
15	Fluid Adjustment Knob	D	17221	x	x	x	x	x	■
16	Lid	C	16181	x	x	x	■	■	x
17	Air Valve O-ring	B	15801	■	■	■	■	■	■
18	Valve Guide Body	B	16081	■	■	■	■	■	■
19	Air Valve	A	16091	■	■	■	■	■	■
20	Air Valve Spring	A	10351	■	■	■	■	■	■
21	Air Valve Guide Screw	B	16111	■	■	■	■	■	■
22	Bottle 1 oz / 30 ml	-	A4701	x	x	■	x	x	■
23	Spanner	A	11651	■	■	■	■	■	■

■ = yes X = no OPT = optional  
\*Replacement parts not available.

Available from: *Dixie Art Airbrush* • [www.dixieart.com](http://www.dixieart.com) • 800.783-2612