



IWATA Kustom HI-LINE CH

Gravity Feed Dual Action Airbrush 0.3 mm R9100

KUSTOM Hi-Line CH

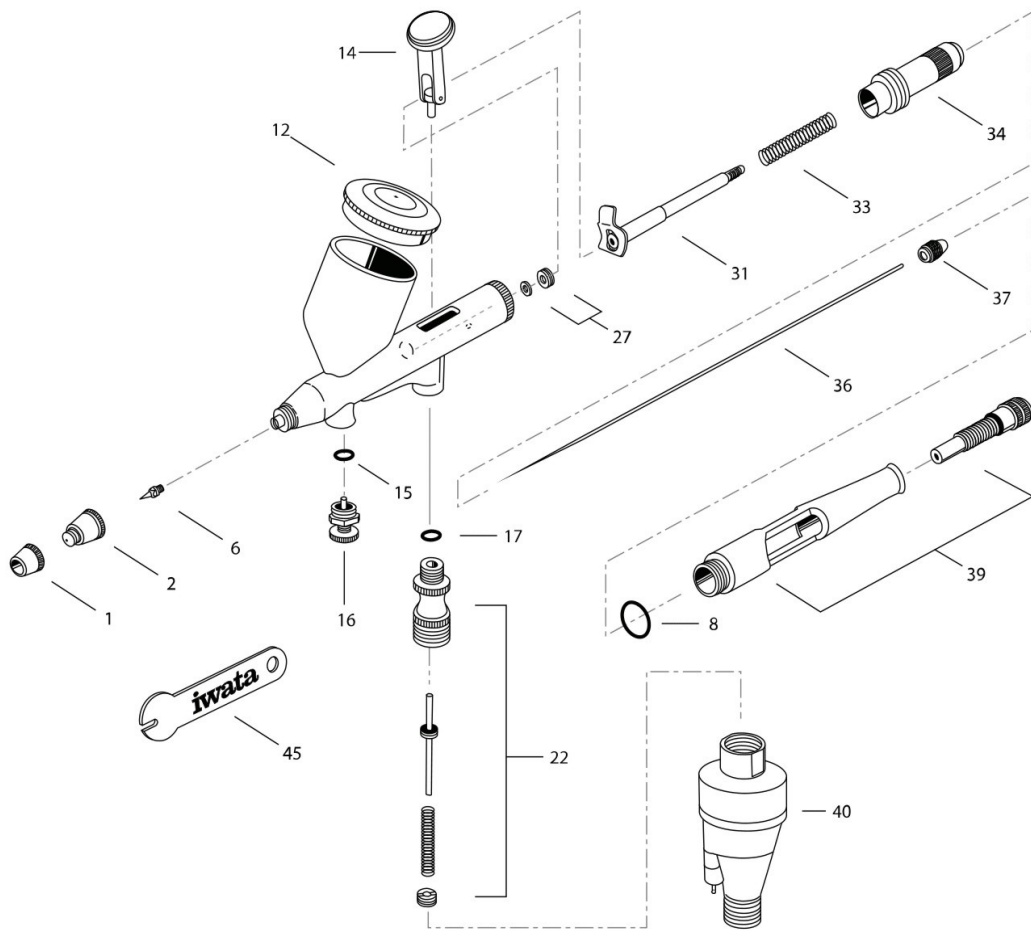


Illustrated Parts Listing

Item#	Part No.	Description	Item#	Part No.	Description
1	i 1102	Needle Cap 0.3MM (H3)	27	i 7251	Needle Packing Screw W/O-ring
2	i 1403	Head Cap 0.3MM (H3)	31	i 7151	Needle Chuck Guide W/aux. Lever
6	i 0808	Nozzle 0.3mm (H3)	33	i 1351	Needle Spring
8	i 6051	Packing - Handle (O-ring)	34	i 7701	Needle Spring Guide
12	i 6181	Fluid Cup Lid	36	i 0753	Needle 0.3mm (H3)
14	i 5453	Main Lever (Trigger)	37	i 1202	Needle Chucking Nut
15	i 1902	MAC Valve O-ring	39	i 1556	Handle Pre Set Set
16	i 1901	Micro Air Control (MAC) Valve	40	FA450	Pistol Grip Filter
17	i 1451	Packing - Air Valve (O-ring)	45	i 1651	Spanner (Wrench)
22	i 0304	Air Valve Set			

See next Page for schematic

Discontinued — IWATA KUSTOM SERIES - HI-LINE CH



#	ITEM DESCRIPTION	PRICE CODE	ITEM #	K 9100	ALSO FITS
1	Needle Cap	B	I 110 2	■	
2	Nozzle Cap 0.30 mm	D	I 140 3	■	
6	Fluid Nozzle 0.30 mm	G	I 080 8	■	
8	Packing Head	A	I 605 1	■	TR, CS
12	Cup Lid NOW i 6181	C	I 718 1	■	CM
14	Main Lever	C	I 545 3	■	CM
15	Packing MAC Valve	A	I 190 2	■	TH, CM
16	Micro Air Control (MAC) Valve	D	I 190 1	■	TH, CM
17	Air Valve O-ring	A	I 145 1	■	TH, CM
22	Air Valve Set	G	I 030 4	■	

#	ITEM DESCRIPTION	PRICE CODE	ITEM #	K 9100	ALSO FITS
27	Needle Packing Screw Set (PTFE)	B	I 725 1	■	BCR/CR/SAR M1/M2/ECL CH/C+/BC+ KCS
31	Needle Chucking Guide	C	I 715 1	■	CS
33	Spring NOW i 1351	F	I 715 2	■	CS
34	Spring Guide	A	I 770 1	■	CS
36	Fluid Needle 0.30 mm	C	I 075 3	■	
37	Needle Chucking Nut NOW i 1202	A	I 120 7	■	TH, TR, CM, CS
39	Preset Cutaway Handle	G	I 155 6	■	CS
40	Pistol-Grip Filter	N/A	FA 450	■	ALL
45	Spanner Wrench	A	I 165 1	■	

■ = yes X = no Opt = optional

Available from:

Dixie Art Airbrush www.dixieart.com • 800.783.2612