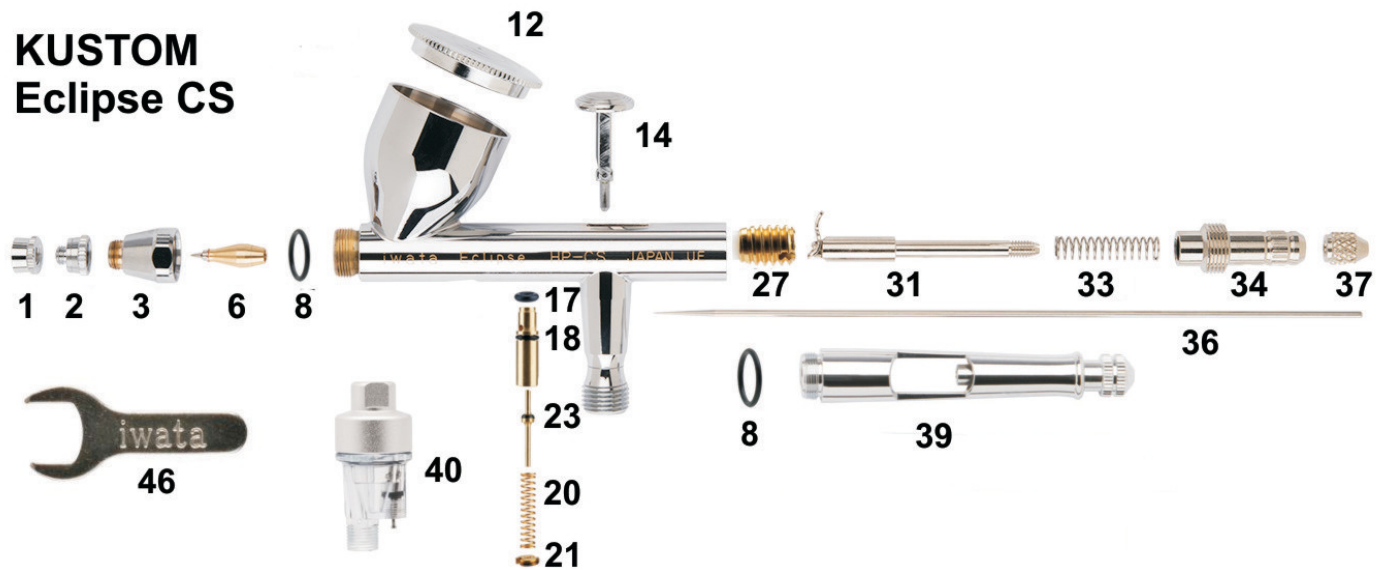




Iwata Kustom Eclipse CS

Gravity Feed Dual Action Airbrush 0.35mm #K9300

KUSTOM Eclipse CS

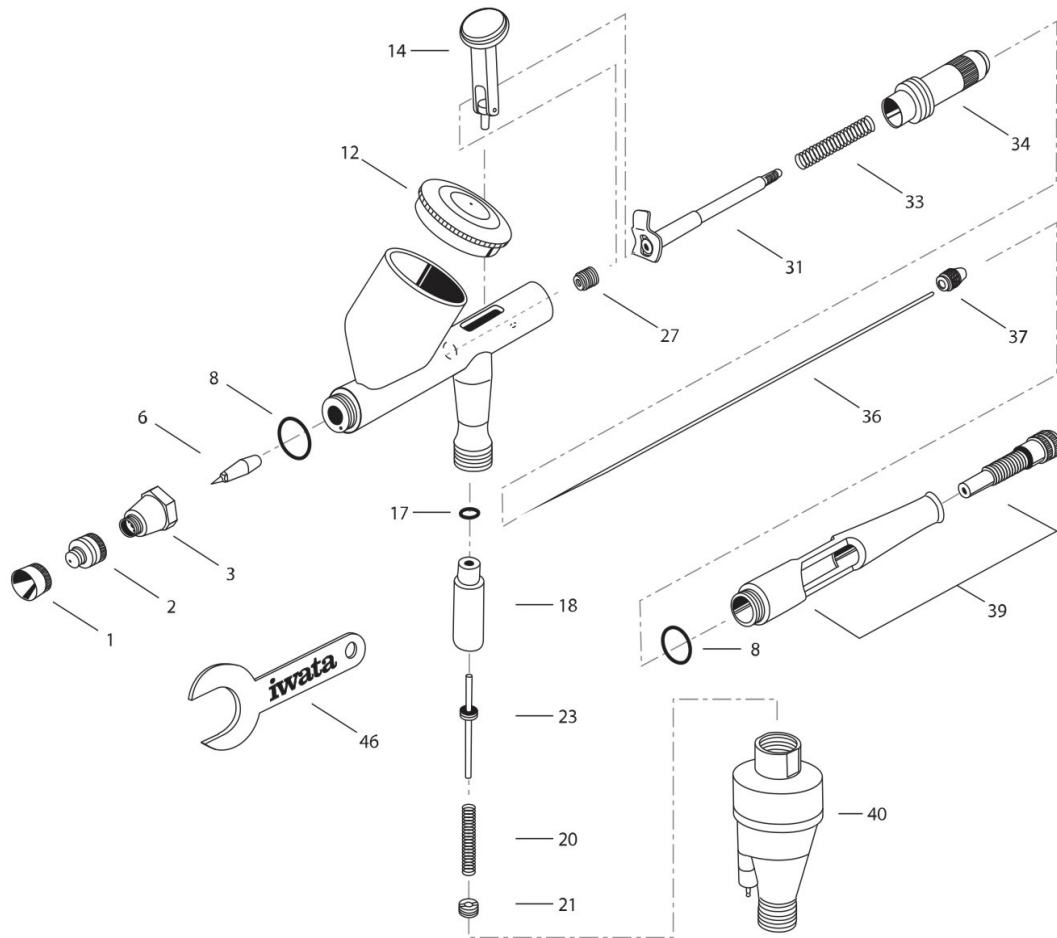


Illustrated Parts Listing

Item#	Part No.	Description	Item#	Part No.	Description
1	i 6011	Needle Cap	23	i 6091	Air Valve
2	i 6022	Nozzle Cap 0.35 mm (E3)	27	i 7251	Needle Pack. Screw Set (PTFE)
3	i 6031	Head Cap	31	i 7151	Needle Guide w/Auxiliary Lever
6	i 6042	Nozzle 0.35 mm (E3)	33	i 1351	Needle Spring
8	i 6051	O-ring	34	i 7701	Needle Spring Guide
12	i 6181	Lid	36	i 6172	Needle 0.35 mm (E3)
14	i 5453	Main Lever (Trigger)	37	i 1202	Needle Chucking Nut
17	i 5801	Valve Piston Packing	39	i 1556	Handle (preset/Single Cut)
18	i 6081	Air Valve Guide Body	40	FA450	Pistol Grip Filter
20	i 5104	Air Valve Spring	46	i 6301	Spanner Head Cap Wrench
21	i 6111	Air Valve Guide Screw			

See next Page for schematic

Discontinued — IWATA KUSTOM SERIES - ECLIPSE CS



#	ITEM DESCRIPTION	PRICE CODE	ITEM #	K 9300	ALSO FITS
1	Needle Cap	A	I 601 1	■	
2	Nozzle Cap E3	B	I 602 2	■	
3	Head Cap	C	I 603 1	■	
6	Fluid Nozzle E3	E	I 604 2	■	
8	O-ring	A	I 605 1	■	TR, CH
12	Cup Lid	C	I 618 1	■	
14	Main Lever	C	I 612 3	■	
17	Valve Piston Packing	B	I 580 1	■	CM
18	Air Valve Guide Body	B	I 608 1	■	
20	Air Valve Spring	A	I 510 4	■	
21	Air Valve Guide Screw	A	I 611 1	■	
23	Air Valve	A	I 609 1	■	

#	ITEM DESCRIPTION	PRICE CODE	ITEM #	K 9300	ALSO FITS
27	Needle Packing Screw Set (PTFE)	B	I 725 1	■	BCR/CR/SAR M1/M2/ECL CH/C+/BC+ KCS
31	Needle Chucking Guide with Auxiliary Lever	C	I 715 1	■	CH
33	Needle Spring	A	I 135 1	■	CH
34	Spring Guide	B	I 770 1	■	CH
36	Fluid Needle E3	B	I 617 2	■	
37	Needle Chucking Nut NOW i 1202	A	I 120 1	■	TH, TR, CM, CH
39	Preset Cutaway Handle	G	I 155 6	■	CH
40	Pistol-Grip Filter	N/A	FA 450	■	ALL
46	Spanner Head Cap Wrench	A	I 630 1	■	

■ = yes X = no opt = optional

Available from:

Dixie Art Airbrush www.dixieart.com • 800.783.2612