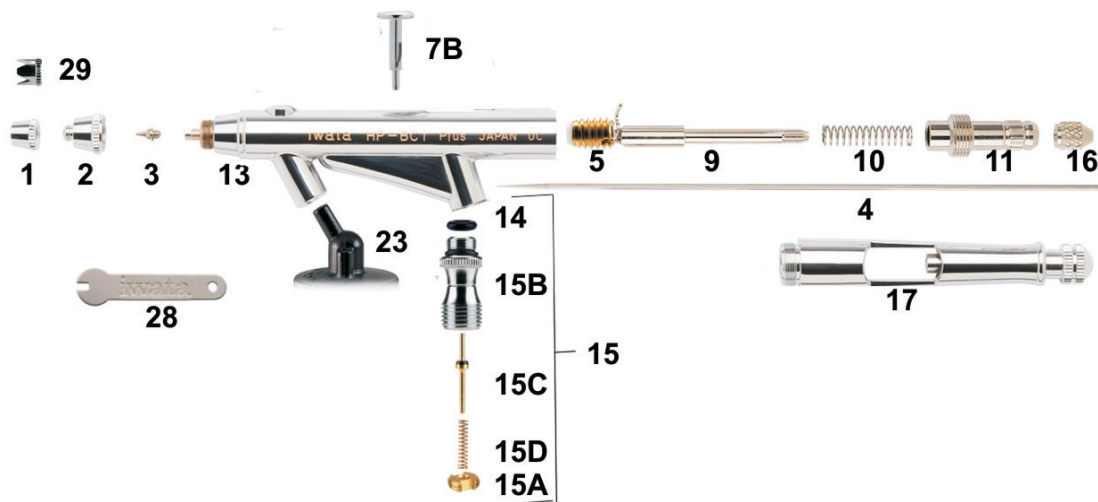


High Performance PLUS

TOTAL CONTROL™

IWATA HIGH PERFORMANCE HP-BC PLUS
Siphon Feed Dual Action Airbrush 0.3 mm

HP-BC Plus



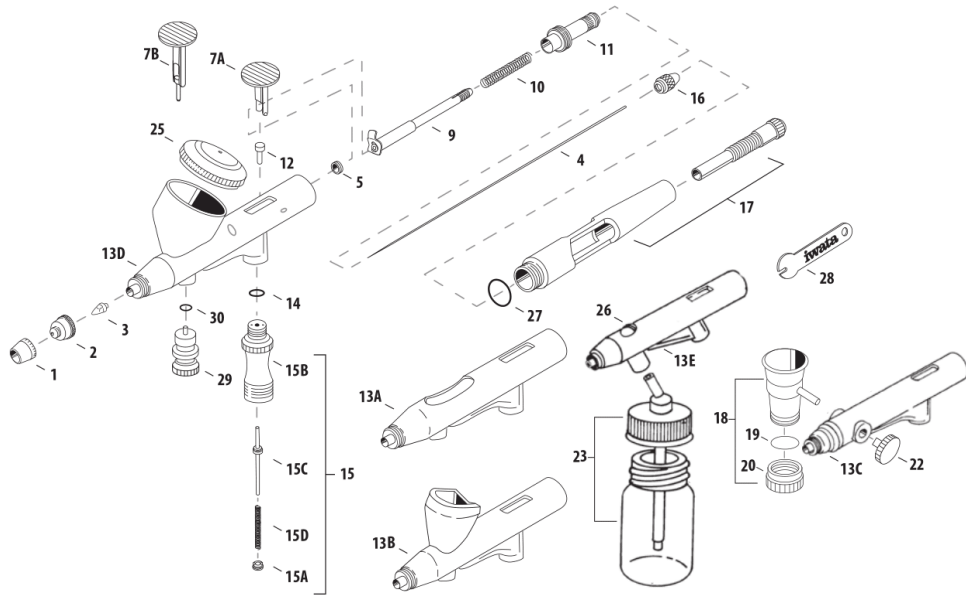
Illustrated Parts Listing

Item #	Part No.	Description	Item #	Part No.	Description
1	i 1102	Needle Cap 0.3mm (H3)	15B	i 0201	Air Valve Body Only
2	i 1403	Head Cap 0.3mm (H3)	15C	i 0153	Air Valve
3	i 0808	Nozzle 0.3mm (H3)	15D	i 0351	Air Valve Spring
4	i 0753	Needle 0.3mm (H3)	16	i 1202	Needle Chucking Nut
5	i 7251	Needle Packing Screw W/O-ring	17	i 1556	Handle (Pre Set/Single Cut)
7B	i 1003	Main Lever (Trigger)	23	i 4052	Glass Bottle Set 0.75 oz/20 ml
9	i 7151	Needle Chucking Guide W/aux. Lever	23	-----	See Iwata Bottle Assembles
10	i 1353	Needle Spring	26	i 0451	Blanking Screw
11	i 7701	Needle Spring Guide	27	i 6051	Packing Handle (O-ring)
12	i 1751	Valve Piston (for Trigger)	28	i 1651	Spanner (Wrench)
13	N/A	Body BC-Plus			
14	i 1451	Packing - Air Valve (O-ring)			
15	i 0304	Air Valve Set			
15A	i 0251	Air Valve Guide			
			Optional		
			29	i 1050	Needle Crown Cap

Needle, Needle Cap, Nozzle Cap and Nozzle are not interchangeable in this series

See next Page for schematic
Available from:

Dixie Art Airbrush • www.dixieart.com • 800.783-2612



#	ITEM DESCRIPTION	PRICE CODE	ITEM #	HP-A+	HP-B+	HP-SB+	HP-C+	HP-BC+
1	Needle Cap	H2	B 11101	■	■	■	x	x
		H3	B 11102	x	x	x	■	■
2	Nozzle Cap	H2	D 11401	■	■	■	x	x
		H3	D 11403	x	x	x	■	■
3	Nozzle	H2	G 10807	■	■	■	x	x
		H3	G 10808	x	x	x	■	■
4	Needle	H2	C 10751	■	■	■	x	x
		H3	C 10753	x	x	x	■	■
5	Needle Packing Screw Set (PTFE)	B	11257	■	■	■	x	x
		B	17251	x	x	x	■	■
7A	Main Lever	D	11001	■	■	■	x	x
		D	11002	x	x	x	■	x
7B	Main Lever	G	11003	x	x	x	x	■
9	Needle Chucking Guide with Auxiliary Lever	C	11157	■	■	■	x	x
		C	17151	x	x	x	■	■
10	Needle Spring	A	11352	■	■	■	x	x
		A	11353	x	x	x	■	■
11	Spring Guide	C	11706	■	■	■	x	x
		A	17701	x	x	x	■	■
12	Valve Piston	A	11751	■	■	■	■	x
13A	HP-A Plus Body*	-	-	■	x	x	x	x
13B	HP-B Plus Body*	-	-	x	■	x	x	x
13C	HP-SB Plus Body*	-	-	x	x	■	x	x
13D	HP-C Plus Body*	-	-	x	x	x	■	x
13E	HP-BC Plus Body*	-	-	x	x	x	x	■
14	Air Valve O-ring	A	11451	■	■	■	■	■

#	ITEM DESCRIPTION	PRICE CODE	ITEM #	HP-A+	HP-B+	HP-SB+	HP-C+	HP-BC+
15	Air Valve Set	G	10301	■	■	■	x	x
		G	10304	x	x	x	■	■
15A	Air Valve Guide	A	10251	■	■	■	■	■
15B	Air Valve Body	D	10201	■	■	■	■	■
15C	Air Valve	B	10151	■	■	■	x	x
		B	10153	x	x	x	■	■
15D	Air Valve Spring	A	10351	■	■	■	■	■
16	Needle Chucking Nut	i 1202	A XXXX	■	■	■	■	■
		G	11555	■	■	■	x	x
17	Preset Handle Set	G	11556	x	x	x	■	■
		G	11556	x	x	x	■	■
18	Cup (Side) 0.05 oz / 1.50 ml	G	10703	x	x	■	x	x
19	Cup Packing Lower Lid	A	11505	x	x	■	x	x
20	Cup Lower Lid 0.05 oz / 1.50 ml	B	10957	x	x	■	x	x
22	Blanking Cover	A	10452	x	x	■	x	x
23	Glass Bottle Set 0.75 oz / 20 ml	G	14052	x	x	x	x	■
25	Fluid Cup Lid	C	16181	x	x	x	■	x
26	Blanking Screw	B	10451	x	x	x	x	■
27	Packing Handle (O-ring)	A	16051	■	■	■	■	■
28	Spanner	A	11651	■	■	■	■	■
	Needle Cap (Crown)	D	11050	OPT	OPT	OPT	OPT	OPT
	QuickFit Quick Disconnect Set	H	11603	OPT	OPT	OPT	OPT	OPT
	QuickFit Quick Disconnect Airbrush Adaptor	C	11604	OPT	OPT	OPT	OPT	OPT
	Airbrush Adapter for Paasche Air Hose	-	J001	OPT	OPT	OPT	OPT	OPT
	Airbrush Adapter for T&C/Badger Air Hoses	-	J002	OPT	OPT	OPT	OPT	OPT

Corrections as of 2022

■ = yes X = no OPT = optional
*Replacement parts not available.

Available from: *Dixie Art Airbrush* • www.dixieart.com • 800/783-2612