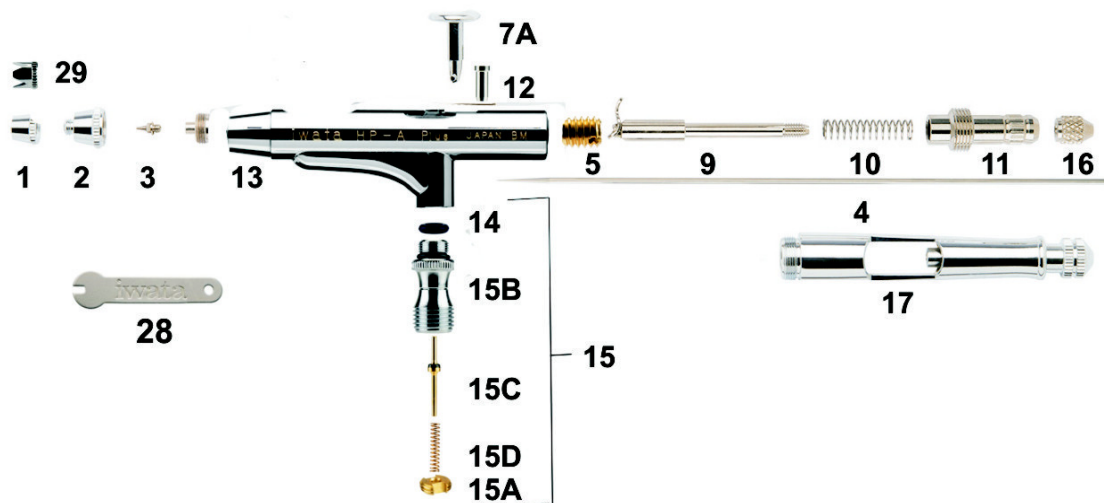


High Performance PLUS

TOTAL CONTROL™

IWATA HIGH PERFORMANCE HP-A PLUS Gravity Feed Dual Action Airbrush 0.02 mm

HP-A Plus



Illustrated Parts Listing

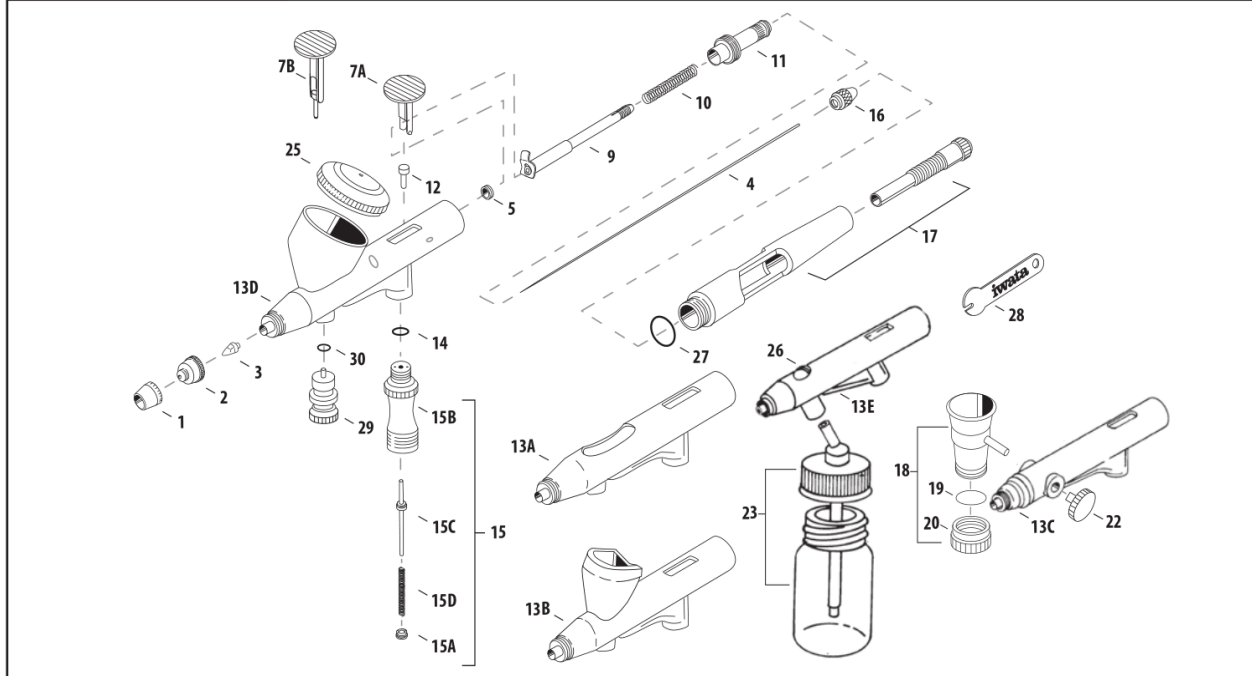
Item #	Part No.	Description	Item #	Part No.	Description
1	i 1101	Needle Cap 0.2mm (H2)	15A	i 0251	Air Valve Guide
2	i 1401	Head Cap 0.2mm (H2)	15B	i 0201	Air Valve Body Only
3	i 0807	Nozzle 0.2mm (H2)	15C	i 0151	Air Valve
4	i 0751	Needle 0.2mm (H2)	15D	i 0351	Air Valve Spring
5	i 1257	Needle Packing Screw W/O-ring	16	i 1202	Needle Chucking Nut
7A	i 1001	Main Lever (Trigger)	17	i 1555	Handle (Pre Set/Single Cut)
9	i 1157	Needle Chucking Guide W/aux. Lever	27	i 6051	Packing Handle (O-ring)
10	i 1352	Needle Spring	28	i 1651	Spanner (Wrench)
11	i 1706	Needle Spring Guide			
12	i 1751	Valve Piston (for Trigger)			
13	N/A	Body B-Plus			
14	i 1451	Packing - Air Valve (o-ring)			
15	i 0301	Air Valve Set			
			Optional		
			29	i 1050	Needle Crown Cap

Needle, Needle Cap, Nozzle Cap and Nozzle are not interchangeable in this series

See next Page for schematic

Available from:

Dixie Art Airbrush • www.dixieart.com • 800.783-2612



#	ITEM DESCRIPTION	PRICE CODE	ITEM #	HP-A+	HP-B+	HP-SB+	HP-C+	HP-BC+
1	Needle Cap	H2	B I1101	■	■	■	x	x
		H3	B I1102	x	x	x	■	■
2	Nozzle Cap	H2	D I1401	■	■	■	x	x
		H3	D I1403	x	x	x	■	■
3	Nozzle	H2	G I0807	■	■	■	x	x
		H3	G I0808	x	x	x	■	■
4	Needle	H2	C I0751	■	■	■	x	x
		H3	C I0753	x	x	x	■	■
5	Needle Packing Screw Set (PTFE)	B	I1257	■	■	■	x	x
		B	I7251	x	x	x	■	■
7A	Main Lever	D	I1001	■	■	■	x	x
		D	I1002	x	x	x	■	x
7B	Main Lever	G	I1003	x	x	x	x	■
9	Needle Chucking Guide with Auxiliary Lever	C	I1157	■	■	■	x	x
		C	I7151	x	x	x	■	■
10	Needle Spring	A	I1352	■	■	■	x	x
		A	I1353	x	x	x	■	■
11	Spring Guide	C	I1706	■	■	■	x	x
		A	I7701	x	x	x	■	■
12	Valve Piston	A	I1751	■	■	■	■	x
13A	HP-A Plus Body*	-	-	■	x	x	x	x
13B	HP-B Plus Body*	-	-	x	■	x	x	x
13C	HP-SB Plus Body*	-	-	x	x	■	x	x
13D	HP-C Plus Body*	-	-	x	x	x	■	x
13E	HP-BC Plus Body*	-	-	x	x	x	x	■
14	Air Valve O-ring	A	I1451	■	■	■	■	■

#	ITEM DESCRIPTION	PRICE CODE	ITEM #	HP-A+	HP-B+	HP-SB+	HP-C+	HP-BC+
15	Air Valve Set	G	I0301	■	■	■	x	x
		G	I0304	x	x	x	■	■
15A	Air Valve Guide	A	I0251	■	■	■	■	■
15B	Air Valve Body	D	I0201	■	■	■	■	■
15C	Air Valve	B	I0151	■	■	■	x	x
		B	I0153	x	x	x	■	■
15D	Air Valve Spring	A	I0351	■	■	■	■	■
16	Needle Chucking Nut i 1202	A	I0101	■	■	■	■	■
17	Preset Handle Set	G	I1555	■	■	■	x	x
		G	I1556	x	x	x	■	■
18	Cup (Side) 0.05 oz / 1.50 ml	G	I0703	x	x	■	x	x
19	Cup Packing Lower Lid	A	I1505	x	x	■	x	x
20	Cup Lower Lid 0.05 oz / 1.50 ml	B	I0957	x	x	■	x	x
22	Blanking Cover	A	I0452	x	x	■	x	x
23	Glass Bottle Set 0.75 oz / 20 ml	G	I4052	x	x	x	x	■
25	Fluid Cup Lid	C	I6181	x	x	x	■	x
26	Blanking Screw	B	I0451	x	x	x	x	■
27	Packing Handle (O-ring)	A	I6051	■	■	■	■	■
28	Spanner	A	I1651	■	■	■	■	■
	Needle Cap (Crown)	D	I1050	OPT	OPT	OPT	OPT	OPT
	QuickFit Quick Disconnect Set	H	I1603	OPT	OPT	OPT	OPT	OPT
	QuickFit Quick Disconnect Airbrush Adaptor	C	I1604	OPT	OPT	OPT	OPT	OPT
	Airbrush Adapter for Paasche Air Hose	-	J001	OPT	OPT	OPT	OPT	OPT
	Airbrush Adapter for T&C/Badger Air Hoses	-	J002	OPT	OPT	OPT	OPT	OPT

Corrections as of 2022

■ = yes x = no OPT = optional
*Replacement parts not available.