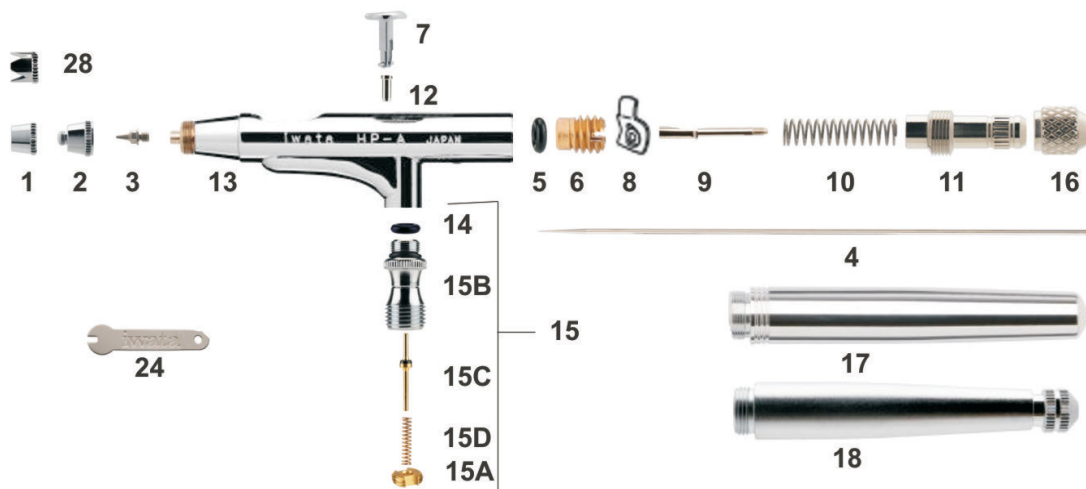


IWATA HIGH PERFORMANCE HP-A Gravity Feed Dual Action Airbrush 0.2 mm

HP-A Original Version



Illustrated Parts Listing

Item #	Part No.	Description	Item #	Part No.	Description
1	i 1101	Needle Cap 0.2mm	15A	i 0251	Air Valve Guide
2	i 1401	Head Cap 0.2mm	15B	i 0201	Air Valve Body Only
3	i 0801	Nozzle 0.2mm	15C	i 0151	Air Valve
4	i 0751	Needle 0.2mm	15D	i 0351	Air Valve Spring
5	i 1501	Packing Fluid Needle (O-ring)	16	i 1202	Needle Chucking Nut
6	i 1251	Needle Packing Screw	18	i 1551	Pre-Set Handle
7	i 1001	Main Lever (Trigger)	24	i 1651	Spanner (Wrench)
8	i 0401	Auxiliary Lever			
9	i 1151	Needle Chucking Guide			
10	i 1352	Needle Spring			
11	i 1701	Needle Spring Guide			
12	i 1751	Valve Piston (for Trigger)			
13	N/A	Body A Original Style			
14	i 1451	Packing - Air Valve (o-ring)			
15	i 0301	Air Valve Set			

Optional

28 i 1050 Needle Crown Cap

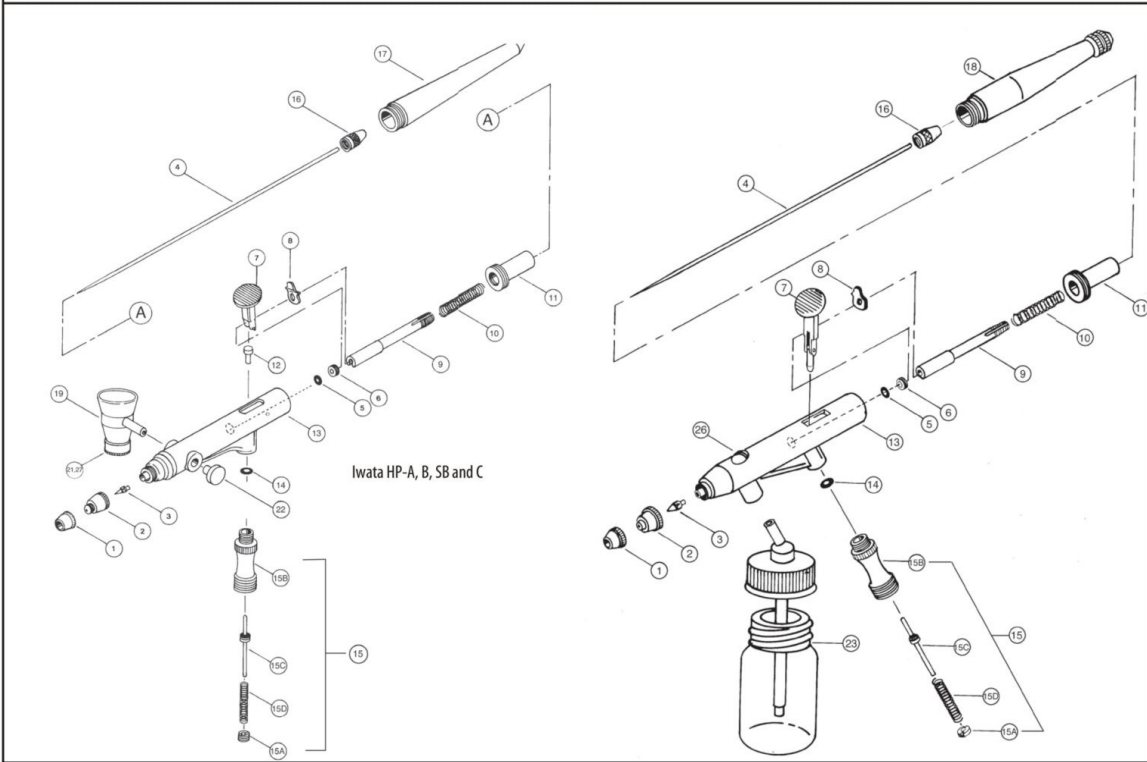
Needle, Needle Cap, Nozzle Cap and Nozzle are not interchangeable in this series

See next Page for schematic

Available from:

Dixie Art Airbrush • www.dixieart.com • 800.783-2612

IWATA HIGH PERFORMANCE SERIES - A, B, SB, C, BC, BC2



#	ITEM DESCRIPTION	PRICE CODE	ITEM #	HP A	HP B	HP SB	HP C	HP BC	HP BC2
1	Needle Cap	B	I1101	■	■	■	x	x	x
		B	I1102	x	x	x	■	■	■
2	Nozzle Cap 0.2 mm	D	I1401	■	x	x	x	x	x
	DISC NOW I1401 0.2 mm	D	I1402	x	■	■	x	x	x
	0.3 mm	D	I1403	x	x	x	■	■	opt
	0.4 mm	D	I1404	x	x	x	opt	opt	■
3	Fluid Nozzle 0.2 mm	G	I0801	■	x	x	x	x	x
	DISC NOW I0801 0.2 mm	G	I0802	x	■	■	x	x	x
	0.3 mm	G	I0803	x	x	x	■	■	opt
	0.4 mm	G	I0804	x	x	x	opt	opt	■
	DISC NOW I0801 0.2 mm	G	I0852	x	x	x	opt	opt	opt
	DISC NOW I0803 0.3 mm	G	I0853	opt	opt	opt	x	x	x
4	Fluid Needle 0.2 mm	C	I0751	■	x	x	x	x	x
	DISC NOW I0751 0.2 mm	C	I0752	x	■	■	x	x	x
	0.3 mm	C	I0753	x	x	x	■	■	opt
	0.4 mm	C	I0754	x	x	x	opt	opt	■
5	Packing Fluid Needle (O-Ring)	A	I1501	■	■	■	x	x	x
		A	I1502	x	x	x	■	■	■
6	Needle Packing Screw	A	I1251	■	■	■	■	■	■
7	Main Lever	D	I1001	■	■	■	x	x	x
		D	I1002	x	x	x	■	x	x
	Main Lever/Piston	G	I1003	x	x	x	x	■	■
8	Auxiliary Lever	A	I0401	■	■	■	x	x	x
		A	I0404	x	x	x	■	x	x
		A	I0405	x	x	x	x	■	■
9	Needle Chucking Guide	C	I1151	■	■	■	x	x	x
		C	I1152	x	x	x	■	■	■
10	Needle Spring	A	I1352	■	■	■	x	x	x
		A	I1353	x	x	x	■	■	■
11	Spring Guide	C	I1701	■	■	■	x	x	x
		C	I1702	x	x	x	■	■	■
12	Valve Piston	DISC 65	A	I1751	■	■	■	x	x
13	Body*		N/A	■	x	x	x	x	x
			N/A	x	■	■	x	x	x
			N/A	x	x	x	x	x	x
			N/A	x	x	x	■	x	x
			N/A	x	x	x	x	■	■
14	Packing Air Piston (O-Ring)	A	I1451	■	■	■	■	■	■

#	ITEM DESCRIPTION	PRICE CODE	ITEM #	HP A	HP B	HP SB	HP C	HP BC	HP BC2
15	Air Valve Set	DISC 65	G 10301	■	■	■	x	x	x
		DISC 65	G 10304	x	x	x	■	■	■
15A	Air Valve Guide	DISC 65	A 10251	■	■	■	■	■	■
15B	Air Valve Body	D	I0201	■	■	■	■	■	■
15C	Air Valve	DISC 65	B 10151	■	■	■	x	x	x
		DISCONTINUE	B I0154	x	x	x	■	■	■
15D	Air Valve Spring	A	I0351	■	■	■	■	■	■
16	Needle Chucking Nut	A	I1201	■	■	■	x	x	x
	DISC NOW I1202	A	I1202	x	x	x	■	■	■
17	Handle	DISC NOW I1551	E I0901	■	■	■	x	x	x
		E	I0902	x	x	x	■	x	x
18	Pre-Set Handle	G	I1551	opt	opt	opt	x	x	x
		G	I1552	x	x	x	opt	■	■
26	Blanking Screw	B	I0451	x	x	x	x	■	■
22	Blanking Cover	A	I0452	x	x	x	■	x	x
23	Glass Bottles 3/4 oz	G	I4052	x	x	x	x	■	■
	DISCONTINUED 1/2 oz	G	I4202	x	x	x	x	opt	opt
	Spanner	A	I1651	■	■	■	■	■	■
	Conversion Kit (Converts 0.3 mm HP- C and HP- BC to 0.4 mm Size Nozzle - 4 Piece Conversion)	DISC	I1951	x	x	x	■	■	x
	Crown Cap	D	I1050	opt	opt	opt	opt	opt	opt
	Quick Fit Set (QD Screws Onto Airhose and Adaptor Screws Onto Airbrush)		I1603	opt	opt	opt	opt	opt	opt
	Quick Fit Adaptor (Adaptor Screws Onto Airbrush)		I1604	opt	opt	opt	opt	opt	opt
	Adaptor (Iwata Airbrushes to Paasche Air Hose)		J001	opt	opt	opt	opt	opt	opt
	Adaptor (Iwata Airbrushes to T & C/Badger Air Hoses)		J002	opt	opt	opt	opt	opt	opt
	Fluid Cup								
	Side Cup 1/8 oz	G	I0703	x	x	■	x	x	x
	Side Cup w/Lid 1/4 oz	G	I0704	x	x	opt	x	x	x
	Gravity Cup w/Lid 1/2 oz		I0706	x	x	opt	x	x	x
25	Lid	C	I0954	x	x	x	■	x	x
		C	I0957	x	x	x	■	x	x
21	Lid Cover 1/8, 1/4 oz	NOW I0957	B I0956	x	x	■	x	x	x
27	Packing Lower Lid (Gasket)	A	I1505	x	x	■	x	x	x

CALIFORNIA PROP 65 WARNING: Certain products identified with this symbol and offered for sale in this catalog contain lead, a chemical known to the State of California to cause cancer, birth defects and other reproductive harm.

■ = yes X = no opt = optional
*Replacement parts not available.

CORRECTIONS AS OF 2022