

Hi-Line

TOTAL CONTROL™

IWATA HI-LINE HP-TH2 Gravity Feed Dual Action Trigger Airbrush 0.6 mm

Illustrated Parts Listing



Item #	Part No.	Description
1	i 1109	Air Cap Fan
2	i 1108	Air Cap Round
3	i 1110	Air Cap Cover
4	i 0812	Nozzle 0.6MM (H6)
5	i 0822	Head Base
6	i 0831	Head Packing (O-ring)
7	i 1258	Needle Packing Set
8	i 1259	Piston O-ring
9	i 7123	Air Valve Set
9-1	l 6051	Joint O-ring
10	l 2735	Joint Sleeve
11	i 7132	Valve Rod
12	i 7141	Trigger
13B	i 7150	Needle Chucking Assembly
16	i 0758	Needle 0.6MM (H6)
17	i 1202	Needle Chucking Nut
18	i 1559	Handle Pre Set Set

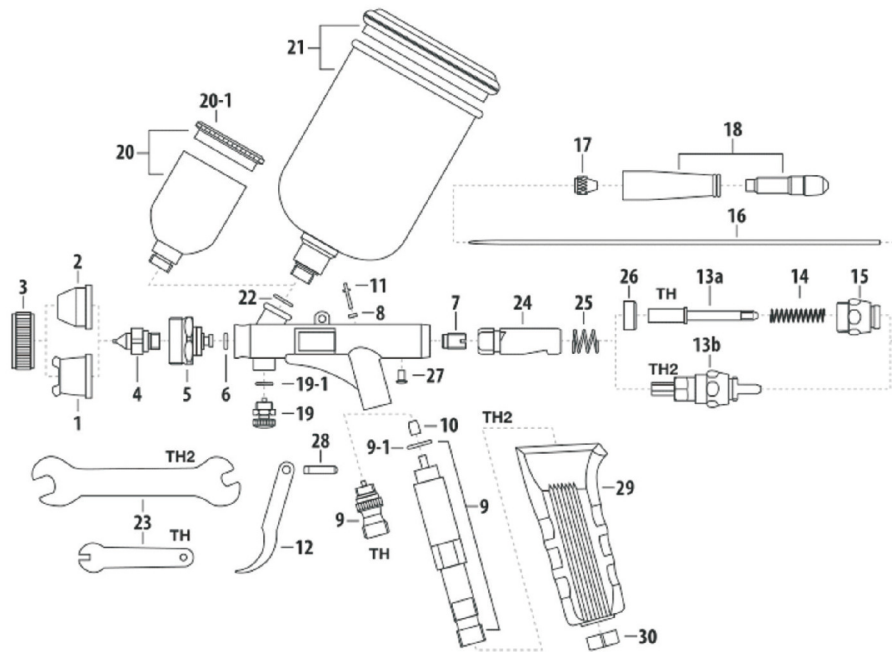
Item#	Part No.	Description
19	i 1901	Micro Air Control (MAC) Valve
19-1	i 1902	MAC Valve O-ring
21	HPA-CB4M	Cup (Gravity) 5 oz
22	i 1507	Cup Packing O-ring
23	i 1653	Spanner (Wrench)
24	i 7301	Slide Cam
25	i 7302	Slide Cam Spring
28	i 7142	Trigger Screw
29	l 2731	Grip Handle
30	l 3701	Grip Nut

OPTIONAL		
20	i 0708	Cup (Gravity) ½ oz.
20-1	i 7182	Cup Lid ½

Needle, Needle Cap, Nozzle Cap and Nozzle are not interchangeable in this series

See next Page for schematic
Available from:

Dixie Art Airbrush • www.dixieart.com • 800.783-2612



ITEM	DESCRIPTION	PART NUMBER	
		HP-TH	HP-TH2
1	AIR CAP(FAN PATTERN)	I1105	I1109
2	AIR CAP(ROUND PATTERN)	I1106	I1108
3	AIR CAP COVER	I1107	I1110
4	NOZZLE	I0811	I0812
5	HEAD	I0821	I0822
6	HEAD O-RING	I0831	I0831
7	NEEDLE PACKING SCREW	I1258	I1258
8	PISTON O-RING	I1259	I1259
9	AIR VALVE SET	I7121	I7123
9-1	JOINT O-RING	---	I6051
10	JOINT SLEEVE	---	I2735
11	VALVE ROD	I7132	I7132
12	TRIGGER	I7141	I7141
13a	NEEDLE CHUCKING GUIDE	I7152	---
13b	NEEDLE CHUCKING ASSEMBLY	---	I7150
14	NEEDLE SPRING	I7703	---
15	SPRING GUIDE	I1707	---
16	NEEDLE	I0757	I0758
17	NEEDLE CHUCKING NUT	I1202	I1202
18	HANDLE(PRE-SET) ASSEMBLY	I1559	I1559
19	MICRO AIR CONTROL(MAC) VALVE SET	I1901	I1901
19-1	O-RING (2 PCS)	I1902	I1902
20	CUP (GRAVITY) 1/2OZ	I0708	I0708
20-1	CUP LID (GRAVITY) 1/2OZ	I7182	I7182
21	CUP (GRAVITY) W/LID 5OZ	HPA-CB4M	HPA-CB4M
22	CUP O-RING	I1507	I1507
23	SPANNER	I1651	I1653
24	SLIDE CAM	I7301	I7301
25	SLIDE CAM SPRING	I7302	I7302
26	MAIN BODY RING	I7311	---
27	MAIN BODY RING SCREW	I7312	---
28	TRIGGER SCREW	I7142	I7142
29	GRIP HANDLE	---	I2731
30	GRIP NUT	---	I3701