

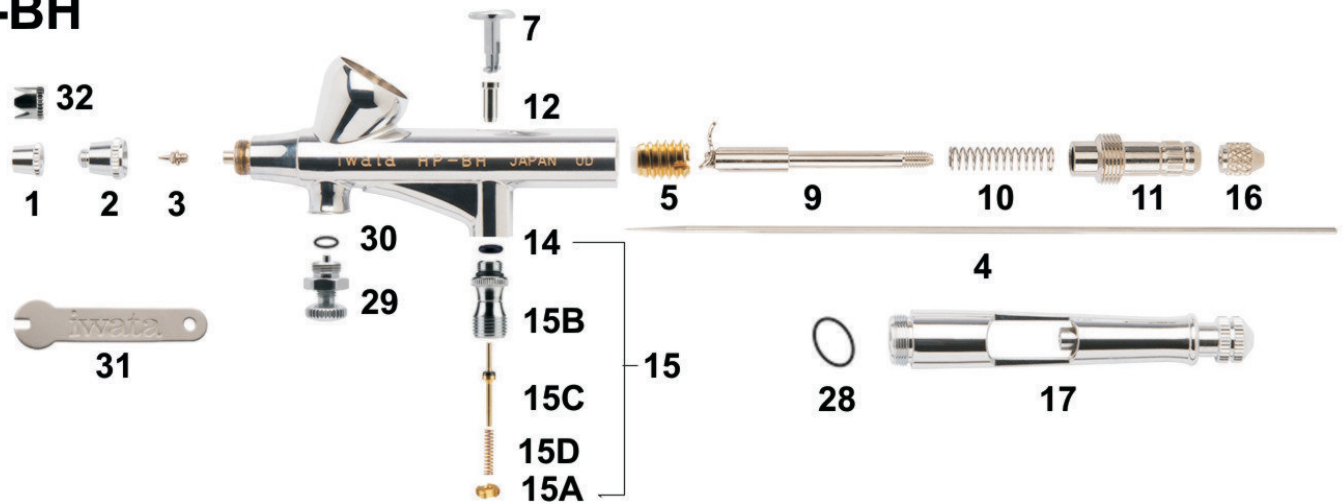
Hi-Line

TOTAL CONTROL™

IWATA HI-LINE HP-BH Gravity Feed Dual Action Airbrush 0.2 mm

Illustrated Parts Listing

HP-BH



Item #	Part No.	Description
1	i 1101	Needle Cap 0.2MM (H2)
2	i 1407	Head Cap 0.2MM (H2)
3	i 0807	Nozzle 0.2mm (H2)
4	i 0751	Needle 0.2mm H2)
5	i 1257	Needle Packing Screw W/O-ring
7	i 1002	Main Lever (Trigger)
9	i 1157	Needle Chucking Guide W/aux. Lever
10	i 1352	Needle Spring
11	i 7701	Needle Spring Guide
12	i 1751	Valve Piston (for Trigger)
13	N/A	HP-BH Body
14	i 1451	Packing - Air Valve (O-ring)
15	i 0301	Air Valve Set
15A	i 0251	Air Valve Guide

Item#	Part No.	Description
15B	i 0201	Air Valve Body Only
15C	i 0151	Air Valve Piston
15D	i 0351	Air Valve Spring
16	i 1202	Needle Chucking Nut
17	i 1556	Handle Pre Set Set
28	i 6051	Packing - Handle (O-ring)
29	i 1901	Micro Air Control (MAC) Valve
30	i 1902	MAC Valve O-ring
31	i 1651	Spanner (Wrench)

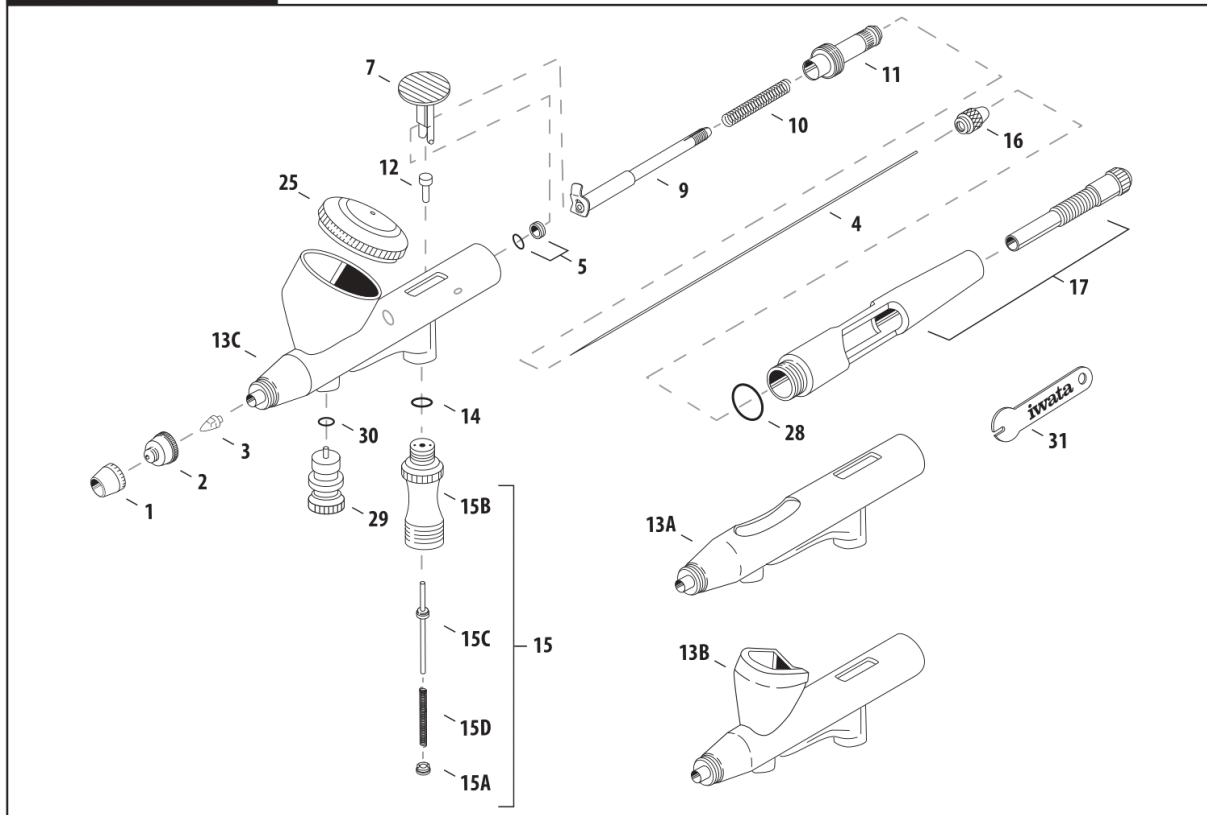
OPTIONAL		
32	i 1050	Needle Crown Cap

Needle, Needle Cap, Nozzle Cap and Nozzle are not interchangeable in this series

See next Page for schematic

Available from:

Dixie Art Airbrush • www.dixieart.com • 800.783-2612



#	ITEM DESCRIPTION	PRICE CODE	ITEM #	HP-AH	HP-BH	HP-CH
1	Needle Cap	H2	B 11101	■	■	x
		H3	B 11102	x	x	■
2	Nozzle Cap	H2	D 11407	■	■	x
		H3	D 11403	x	x	■
3	Nozzle	H2	G 10807	■	■	x
		H3	G 10808	x	x	■
4	Needle	H2	C 10751	■	■	x
		H3	C 10753	x	x	■
5	Needle Packing Screw Set (PTFE)	B	B 11257	■	■	x
		B	B 17251	x	x	■
7	Main Lever	D	D 11002	■	■	■
9	Needle Chucking Guide with Auxiliary Lever	C	C 11157	■	■	x
		C	C 17151	x	x	■
10	Needle Spring	A	A 11352	■	■	x
		A	A 11351	x	x	■
11	Spring Guide	A	A 17701	■	■	■
12	Valve Piston	A	A 11751	■	■	■
13A	HP-AH Body*	-	-	■	x	x
13B	HP-BH Body*	-	-	x	■	x
13C	HP-CH Body*	-	-	x	x	■
14	Air Valve O-ring	A	A 11451	■	■	■

#	ITEM DESCRIPTION	PRICE CODE	ITEM #	HP-AH	HP-BH	HP-CH
15	Air Valve Set	G	I0301	■	■	x
		G	I0304	x	x	■
15A	Air Valve Guide	A	I0251	■	■	■
15B	Air Valve Body	D	I0201	■	■	■
15C	Air Valve	B	I0151	■	■	x
		B	I0153	x	x	■
15D	Air Valve Spring	A	I0351	■	■	■
16	Needle Chucking Nut	NOW i 1202	A X204	■	■	■
17	Preset Handle Set	G	I1556	■	■	■
25	Fluid Cup Lid	C	I6181	x	x	■
28	Handle O-Ring	A	I6051	■	■	■
29	MAC Valve Set	D	I1901	■	■	■
30	MAC Valve Packing	A	I1902	■	■	■
31	Spanner	A	I1651	■	■	■
	Needle Cap (Crown)	D	I1050	OPT	OPT	OPT
	QuickFit Quick Disconnect Set	H	I1603	OPT	OPT	OPT
	QuickFit Quick Disconnect Airbrush Adaptor	C	I1604	OPT	OPT	OPT
	Airbrush Adapter for Paasche Air Hose	-	J001	OPT	OPT	OPT
	Airbrush Adapter for T&C/Badger Air Hoses	-	J002	OPT	OPT	OPT

■ = yes X = no OPT = optional
*Replacement parts not available.