



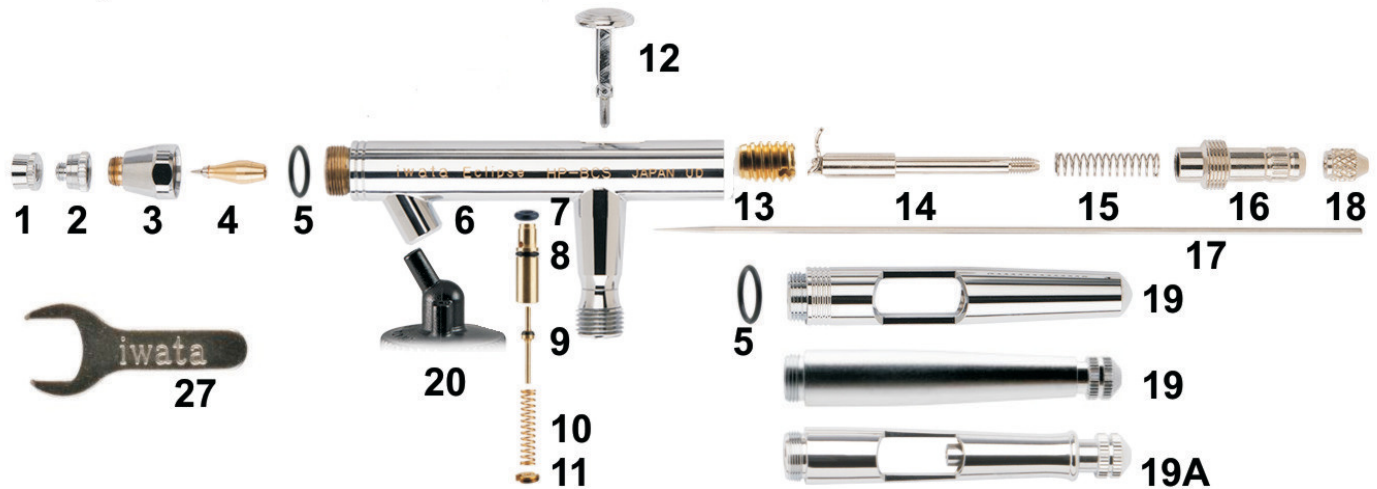
ALL-STAR VERSATILITY™

Iwata Eclipse HP-BCS

Siphon Feed Dual Action Airbrush #ECL2000

Illustrated Parts Listing

Eclipse HP-BCS



Item#	Part No.	Description
1	i 6011	Needle Cap
2	i 6021	Nozzle Cap 0.5mm E5
3	i 6031	Head Cap
4	i 6041	Nozzle 0.5mm E5)
5	i 6051	O-ring
6	N/A	Body - BCS
7	i 5801	Valve Piston Packing
8	i 6081	Air Valve Guide Body
9	i 6091	Air Valve
10	i 5104	Air Valve Spring
11	i 6111	Air Valve Guide Screw
12	i 6121	Main Lever (Trigger)
13	i 7251	Needle Pack. Screw Set (PTFE)
14	i 7151	Needle Guide
15	i 1352	Needle Spring
16	i 7701	Needle Spring Guide
17	i 6171	Needle 0.5mm E5

Item#	Part No.	Description
18	i 1202	Needle Chucking Nut
19	i 6191	Handle (Single Cut)
20		See Iwata Bottles Assembles
27	i 6301	Spanner Head Cap Wrench

Optional

Item#	Part No.	Description
1A	i 1050	Needle Cap (Crown)
12A	i 6124	Main Lever (Control)
19	i 1552	Preset Handle
19A	i 1556	Handle (preset/Single Cut)

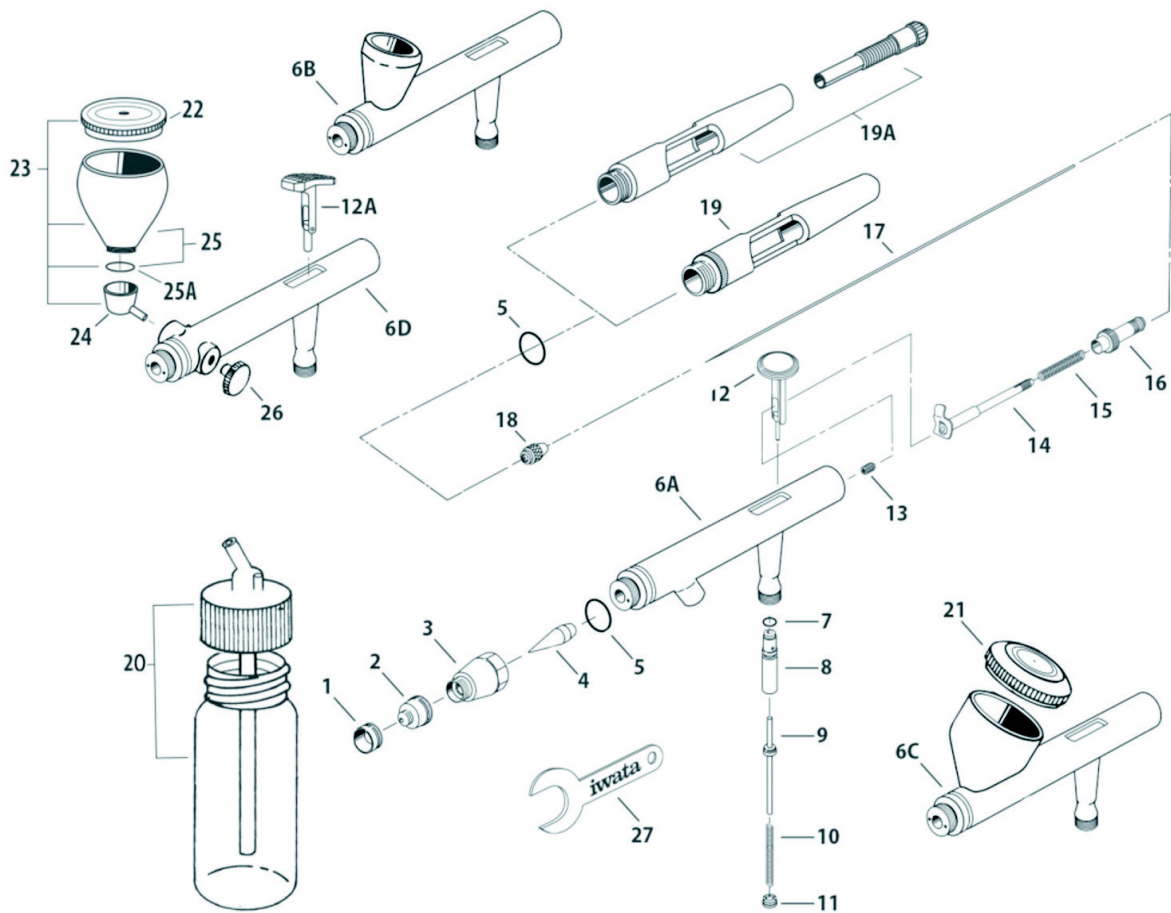
To change from 0.5mm to 0.35mm, change the below 3 parts for optimum performance

2	i 6022	Nozzle Cap 0.35mm E3
4	i 6042	Nozzle 0.35mm E3
17	i 6172	Needle 0.35mm E3

See next Page for schematic

Available from:

Dixie Art Airbrush www.dixieart.com • 800.783.2612



— IWATA ECLIPSE SERIES AIRBRUSHES • MASTER PARTS LIST —

#	ITEM DESCRIPTION	PRICE CODE	ITEM #	HP-BCS	HP-BS	HP-CS	TAKUMI
1	Needle Cap	A	I6011	■	■	■	OPT
1A	Needle Cap (Crown)	D	I1050	OPT	OPT	OPT	■
2	Nozzle Cap	E5	B I6021	■	x	x	x
		E3	C I6022	x	■	■	■
3	Cap	C	I6031	■	■	■	■
4	Nozzle	E5	C I6041	■	x	x	x
		E3	E I6042	x	■	■	■
5	O-ring	A	I6051	■	■	■	■
6A	HP-BSC Body *	-	-	■	x	x	x
6B	HP-BS Body *	-	-	x	■	x	x
6C	HP-CS Body *	-	-	x	x	■	x
6D	Takumi Body *	-	-	x	x	x	■
7	Valve Piston Packing	B	I5801	■	■	■	■
8	Air Valve Guide Body	B	I6081	■	■	■	■
9	Air Valve	A	I6091	■	■	■	■
10	Air Valve Spring	A	I5104	■	■	■	■
11	Air Valve Guide Screw	A	I6111	■	■	■	■
12	Main Lever	C	I6121	■	■	■	■
12A	Main Lever (Control)	D	I6124	OPT	OPT	OPT	■
13	Needle Packing Screw Set (PTFE)	A	I7251	■	■	■	■
14	Needle Chucking Guide	C	I7151	■	■	■	■
		A	I1352	■	x	x	x
15	Needle Spring	A	I1352	■	x	x	x
		A	I1351	x	■	■	■

#	ITEM DESCRIPTION	PRICE CODE	ITEM #	HP-BCS	HP-BS	HP-CS	TAKUMI
16	Spring Guide	C	I7701	■	■	■	■
17	Needle	E5	B I6171	■	x	x	x
		E3	B I6172	x	■	■	x
		E3	B I6176	x	x	x	■
18	Needle Chucking Nut	A	I1202	■	■	■	■
19	Single Cut Handle	D	I6191	■	■	■	■
	Preset Handle	G	I1552	OPT	OPT	OPT	OPT
19A	Handle (Preset/Single Cut)	G	I1556	OPT	OPT	OPT	■
20	Bottle 2 oz / 60 ml	-	A4702	■	x	x	x
21	Lid	C	I6181	x	x	■	x
22	Cup Lid (Siphon Cut) 0.24 oz / 7 ml	C	I6187	x	x	x	■
23	Cup Assembly 0.24 oz / 7 ml	H	I0710	x	x	x	■
24	Cup Adapter (Side-Gravity)	D	I0700	x	x	x	■
25	Cup (Gravity) 0.24 oz / 7 ml	D	N0702	x	x	x	■
25A	Cup (Gravity) O-ring 0.24 oz / 7 ml	A	N0713	x	x	x	■
26	Blanking Cover	A	I0452	x	x	x	■
	QuickFit Quick Disconnect Set	H	I1603	OPT	OPT	OPT	OPT
	QuickFit Quick Disconnect Airbrush Adaptor	C	I1604	OPT	OPT	OPT	OPT
	Airbrush Adapter for Paasche Air Hose	-	J001	OPT	OPT	OPT	OPT
	Airbrush Adapter for T&C/Badger Air Hoses	-	J002	OPT	OPT	OPT	OPT
27	Spanner Head Cap Wrench	A	I6301	■	■	■	■

■ = yes x = no OPT = optional
*Replacement parts not available.

Available from:

Dixie Art Airbrush www.dixieart.com • 800.783.2612