

CUSTOM MICRON CM-SB Side Feed Dual Action Airbrush #ICM3002

Current Series (Version 2)
(Discontinued But parts are still available)

Illustrated Parts Listing



No	Part No.	Description	No	Part No.	Description
1	i 5351	Head System 0.18mm (C1)	12	i 5861	Handle Crown Cap Dock (preset)
1A	i 5351D	Head Needle Crown Cap	13	i 5454	Main Lever
1B	i 5351C	Head Nozzle Cap 0.18mm (C1)	14A	i 5001	Valve Piston
1C	i 5351B	Head Nozzle 0.18mm (C1)	14B	i 5801	Valve Piston Packing (washer)
1D	i 5351A	Head Nozzle Base	15	i 5101	Air Valve Set
2	i 5802	Head Packing (washer)	17	i 0452	Blanking Cover
3	---	Body CM-SB	18	i 0703	Cup (Side) 0.05 oz / 1.50 ml
4	i 5902	Needle Packing Screw (PTFE)	19	i 1505	Cup Packing Lower Lid
5	i 1157	Needle Chucking Guide	20	i 0957	Cup Lower Lid
6	i 5903	Spring Guide	24	FA450	Pistol-Grip Filter
7	i 5701	Needle Spring	25	i 1651	Spanner (nozzle wrench)
8	i 5751	Needle Spring Adjuster			Optional
9	i 5404	Head Needle 0.18mm (C1)	11B	i 5855	Handle (Preset/Single Cut)
10	i 5601	Needle Chucking Nut	18	i 0704	Cup (Side) 0.24 oz / 7 ml
11A	i 5854	Handle (Preset)			

[Will work with Iwata I4501S and I4701S Series Side Feed Bottles](#)

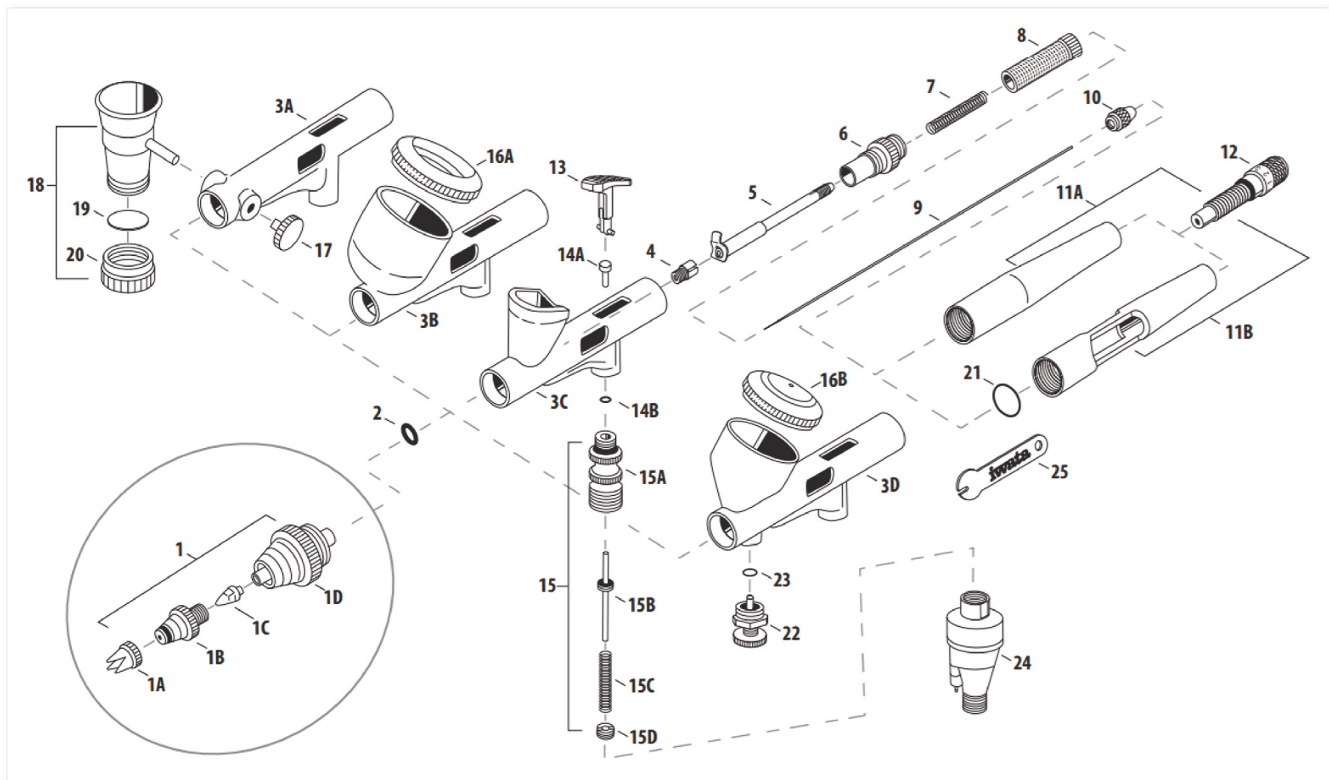
See next Page for schematic

Available from:

Dixie Art Airbrush

www.dixieart.com • 800/783-2612 • 504/466-6556

IWATA CUSTOM MICRON AIRBRUSH SERIES (VERSION 2)



IWATA CUSTOM MICRON AIRBRUSH SERIES (VERSION 2) REPLACEMENT PARTS

#	ITEM DESCRIPTION	PRICE CODE	ITEM #	CM-B	CM-SB	CM-C	CM-C+
1	Head System C1	L	I5351	■	■	x	x
	Head System C2	L	I5352	x	x	■	■
1A	Head Needle Crown Cap	D	I5351D	■	■	■	■
1B	Head Nozzle Cap C1	G	I5351C	■	■	x	x
	Head Nozzle Cap C2	G	I5352C	x	x	■	■
1C	Head Nozzle C1	H	I5351B	■	■	x	x
	Head Nozzle C2	H	I5352B	x	x	■	■
1D	Head Nozzle Base	J	I5351A	■	■	■	■
2	Head Packing	C	I5802	■	■	■	■
3A	CM-SB Body*	-	-	x	■	x	x
3B	CM-C Body*	-	-	x	x	■	x
3C	CM-B Body*	-	-	■	x	x	x
3D	CM-C Plus Body*	-	-	x	x	x	■
4	Needle Packing Screw (PTFE)	D	I5902	■	■	■	■
5	Needle Chucking Guide	C	I1157	■	■	■	■
6	Spring Guide	C	I5903	■	■	■	■
7	Needle Spring	B	I5701	■	■	■	■
8	Needle Spring Adjuster	E	I5751	■	■	■	■
9	Head Needle C1	E	I5404	■	■	x	x
	Head Needle C2	E	I5402	x	x	■	x
	Head Needle C2	E	I5403	x	x	x	■
10	Needle Chucking Nut	B	I5601	■	■	■	■
11A	Handle (Preset)	H	I5854	■	■	■	OPT
11B	Handle (Preset/Single Cut)	H	I5855	OPT	OPT	OPT	■

#	ITEM DESCRIPTION	PRICE CODE	ITEM #	CM-B	CM-SB	CM-C	CM-C+
12	Handle Crown Cap Dock (Preset)	E	I5861	■	■	■	■
13	Main Lever	D	I5454	■	■	■	■
14A	Valve Piston	B	I5001	■	■	■	■
14B	Valve Piston Packing	B	I5801	■	■	■	■
15	Air Valve Set	H	I5101	■	■	■	■
15A	Air Valve Body	-	-	■	■	■	■
15B	Air Valve	-	-	■	■	■	■
15C	Air Valve Spring	-	-	■	■	■	■
15D	Air Valve Guide	-	-	■	■	■	■
16A	Cup Lid 0.24 oz / 7 ml	E	I5301	x	x	■	OPT
16B	Cup Lid (Gravity) 0.24 oz / 7 ml	E	I6181	x	x	OPT	■
17	Blanking Cover	B	I0452	x	■	x	x
18	Cup (Side) 0.05 oz / 1.50 ml	G	I0703	x	■	x	x
19	Cup Packing Lower Lid	A	I1505	x	■	x	x
20	Cup Lower Lid 0.05 oz / 1.50 ml	B	I0956	x	■	x	x
21	Handle O-Ring	A	I6051	x	x	x	■
22	MAC Valve Set	D	I1901	x	x	x	■
23	MAC Valve Packing	A	I1902	x	x	x	■
24	Pistol-Grip Filter	N/A	FA 450	■	■	■	■
25	Spanner	B	I1651	■	■	■	■
	QuickFit Quick Disconnect Set	H	I1603	OPT	OPT	OPT	OPT
	QuickFit Quick Disconnect Airbrush Adaptor	C	I1604	OPT	OPT	OPT	OPT
	Airbrush Adaptor for Paasche Air Hose	-	J001	OPT	OPT	OPT	OPT
	Airbrush Adaptor for T&C/Badger Air Hoses	-	J002	OPT	OPT	OPT	OPT

■ = yes X = no OPT = optional

Available from: *Dixie Art Airbrush* • www.dixieart.com • 800.783-2612