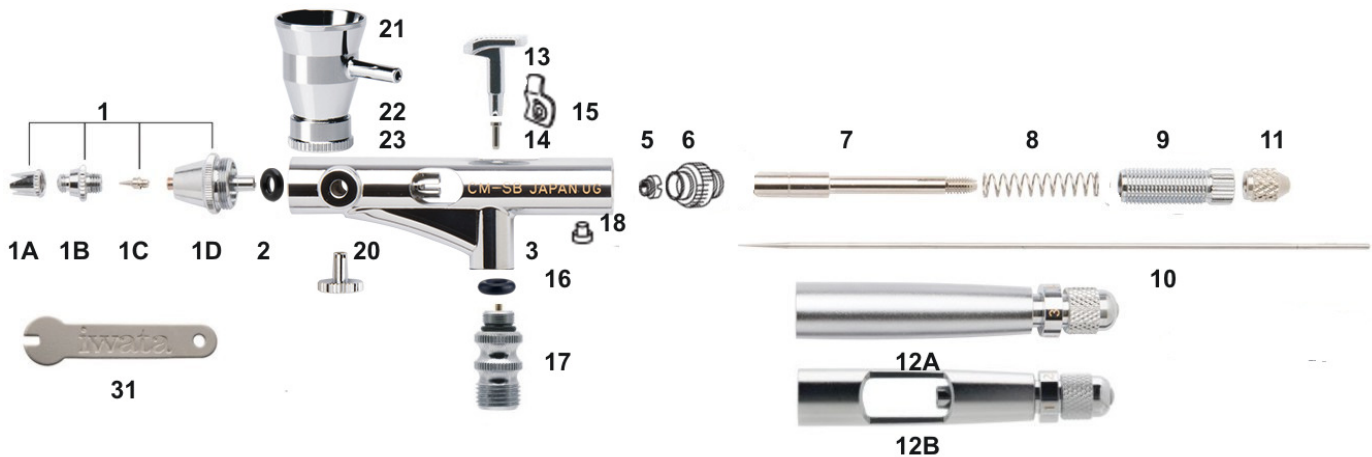


Custom Micron  
ABSOLUTE PRECISION™

## CUSTOM MICRON CM-SB Original Series Side Feed Dual Action Airbrush

### Illustrated Parts Listing



| No  | Part No. | Description                     |
|-----|----------|---------------------------------|
| 1   | i 5351   | Head System 0.18mm              |
| 1A  | i 5351D  | Head Needle Crown Cap           |
| 1B  | i 5351C  | Head Nozzle Cap 0.18mm          |
| 1C  | i 5351B  | Head Nozzle 0.18mm              |
| 1D  | i 5351A  | Head Nozzle Base                |
| 2   | i 5802   | Head Packing (washer)           |
| 3   | ---      | Body CM-SB                      |
| 5   | i 5902   | Packing Fluid Needle Set (PTFE) |
| 6   | i 5901   | Spring Guide                    |
| 7   | i 5501   | Needle Chucking Guide           |
| 8   | i 5701   | Needle Spring                   |
| 9   | i 5751   | Needle Spring Adjuster          |
| 10  | i 5401   | Fluid Needle 0.18mm             |
| 11  | i 5601   | Needle Chucking Nut             |
| 12A | i 5851   | Handle (Preset)                 |

| No       | Part No. | Description                   |
|----------|----------|-------------------------------|
| 13       | i 5451   | Main Lever                    |
| 14       | i 5001   | Valve Piston                  |
| 15       | i 5151   | Auxiliary Lever               |
| 16       | i 5801   | Valve Piston Packing (washer) |
| 17       | i 5101   | Air Valve Set                 |
| 18       | i 5551   | Needle Chucking Guide Screw   |
| 20       | i 0452   | Blanking Cover                |
| 21       | i 0703   | Fluid Cup 1/8 oz              |
| 22       | i 1505   | Packing Lower Lid (Gasket)    |
| 31       | i 1651   | Spanner (nozzle wrench)       |
| Optional |          |                               |
| 12B      | i 5852   | Handle (Single Cut)           |
| 21       | i 0704   | Fluid Cup 1/4 oz              |
| 23       | i 0957   | Lower Lid 1/4 oz              |

[Will work with Iwata I4501S and I4701S Series Side Feed Bottles](#)

See next Page for schematic

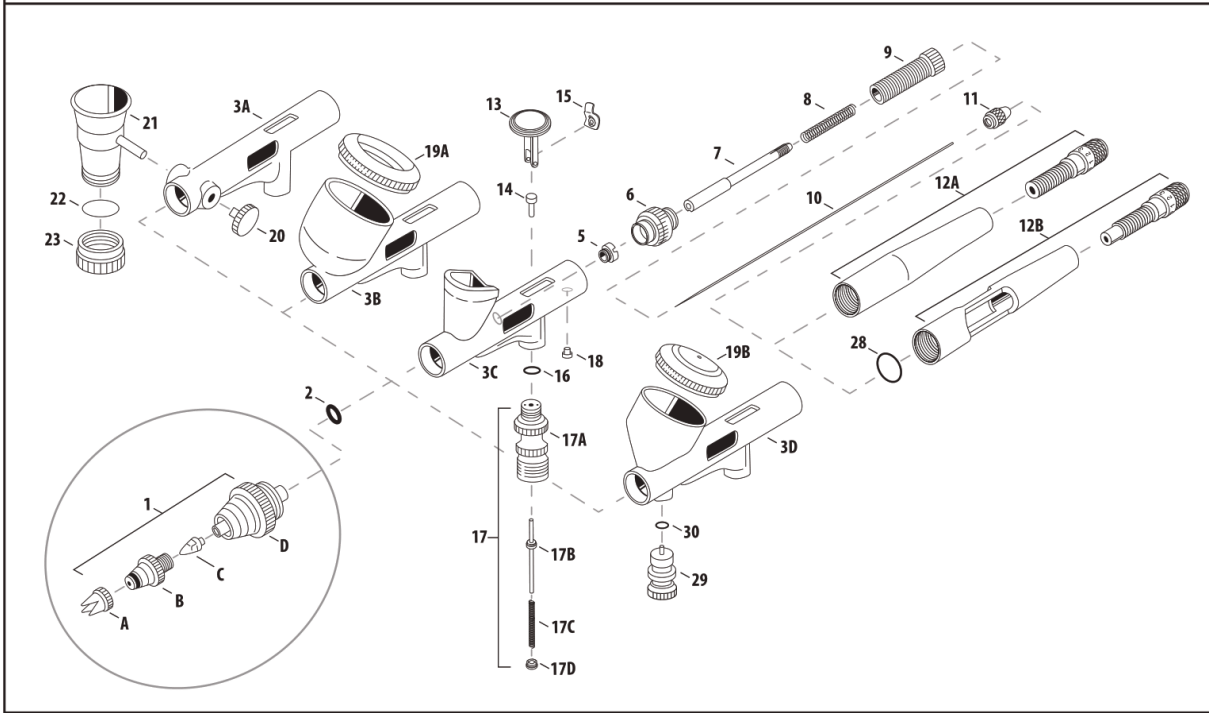
Available from:

*Dixie Art Airbrush*

[www.dixieart.com](http://www.dixieart.com)

800.783-2612 • 504.466.7609

# IWATA CUSTOM MICRON SERIES (ORIGINAL)



| #   | ITEM DESCRIPTION                | PRICE CODE | ITEM #    | CM-B | CM-SB | CM-C | CM-C+ | ALSO FITS                            |
|-----|---------------------------------|------------|-----------|------|-------|------|-------|--------------------------------------|
| 1   | Fluid Head System               | 0.18 mm    | L 1535 1  | ■    | ■     | x    | x     | All CM                               |
|     |                                 | 0.23 mm    | L 1535 2  | x    | x     | ■    | ■     | All CM                               |
| 1A  | Fluid Head-Needle Crown Cap     | D          | 1535 1D   | ■    | ■     | ■    | ■     | All CM                               |
| 1B  | Fluid Head-Nozzle Cap           | G          | 1535 1C   | ■    | ■     | x    | x     | All CM                               |
|     |                                 | G          | 1535 2C   | x    | x     | ■    | ■     | All CM                               |
| 1C  | Fluid Head-Nozzle               | 0.18 mm    | H 1535 1B | ■    | ■     | x    | x     | All CM                               |
|     |                                 | 0.23 mm    | H 1535 2B | x    | x     | ■    | ■     | All CM                               |
| 1D  | Fluid Head Nozzle Base          | J          | 1535 1A   | ■    | ■     | ■    | ■     | All CM                               |
| 2   | Packing Fluid Head (O-Ring)     | C          | 1580 2    | ■    | ■     | ■    | ■     | All CM                               |
| 3A  | Body*                           | SB         | N/A       | x    | ■     | x    | x     |                                      |
| 3B  |                                 | C          | N/A       | x    | x     | ■    | x     |                                      |
| 3C  |                                 | B          | N/A       | ■    | x     | x    | x     |                                      |
| 3D  |                                 | C+         | N/A       | x    | x     | x    | ■     |                                      |
| 5   | Packing Fluid Needle Set (PTFE) | D          | 1590 2    | ■    | ■     | ■    | ■     | All CM                               |
| 6   | Spring Guide                    | E          | 1590 1    | ■    | ■     | ■    | ■     |                                      |
| 7   | Needle Chucking Guide           | E          | 1550 1    | ■    | ■     | ■    | ■     |                                      |
| 8   | Needle Spring                   | B          | 1570 1    | ■    | ■     | ■    | ■     | All CM                               |
| 9   | Needle Spring Adjuster          | E          | 1575 1    | ■    | ■     | ■    | ■     | All CM                               |
| 10  | Fluid Needle                    | 0.18 mm    | E 1540 1  | ■    | ■     | x    | x     | CM-C (Ver2)<br>Opt for Original only |
|     |                                 | 0.23 mm    | E 1540 2  | x    | x     | ■    | x     | CM-C (Ver2)<br>Opt for Original only |
|     |                                 | 0.23 mm    | E 1540 3  | x    | x     | x    | ■     | CM-C+ (Ver2)                         |
| 11  | Needle Chucking Nut             | B          | 1560 1    | ■    | ■     | ■    | ■     | All CM                               |
| 12A | Pre-Set Handle Set              | H          | 1585 1    | ■    | ■     | ■    | opt   |                                      |
| 12B | Pre-Set Handle (Single Cut)     | H          | 1585 2    | opt  | opt   | opt  | ■     |                                      |
| 13  | Main Lever                      | F          | 1545 1    | ■    | ■     | x    | x     |                                      |
|     |                                 | F          | 1545 2    | x    | x     | ■    | ■     |                                      |
| 14  | Air Piston                      | B          | 1500 1    | ■    | ■     | ■    | ■     | All CM                               |

| #   | ITEM DESCRIPTION                                    | PRICE CODE | ITEM #   | CM-B | CM-SB | CM-C | CM-C+ | ALSO FITS |
|-----|---|------------|----------|------|-------|------|-------|-----------|
| 15  | Auxiliary Lever                                     | B          | 1515 1   | ■    | ■     | ■    | ■     |           |
| 16  | Packing Air Piston (O-Ring, 2pcs)                   | B          | 1580 1   | ■    | ■     | ■    | ■     | All CM    |
| 17  | Air Valve Set                                       | H          | 1510 1   | ■    | ■     | ■    | ■     | All CM    |
| 17A | Air Valve Body <small>Discontinued</small>          | F          | 1510 2   | x    | x     | x    | x     | All CM    |
| 17B | Air Valve <small>Discontinued</small>               | C          | 1505 1   | x    | x     | x    | x     | All CM    |
| 17C | Air Valve Spring <small>Discontinued</small>        | B          | 1510 4   | x    | x     | x    | x     | All CM    |
| 17D | Air Valve Guide <small>Discontinued</small>         | B          | 1510 3   | x    | x     | x    | x     | All CM    |
| 18  | Needle Chucking Guide Screw                         | B          | 1555 1   | ■    | ■     | ■    | ■     |           |
| 19A | Fluid Cup Lid                                       | E          | 1530 1   | x    | x     | ■    | opt   | All CM    |
| 19B | Fluid Cup Lid                                       | E          | 1618 1   | x    | x     | opt  | ■     | All CM    |
| 20  | Blanking Cover                                      | B          | 1045 2   | x    | ■     | x    | x     | All CM    |
| 21  | Fluid Cup   | 1/8 oz     | G 1070 3 | x    | ■     | x    | x     | All CM    |
|     |   | 1/4 oz     | G 1070 4 | x    | ■     | x    | x     | All CM    |
| 22  | Packing Lower Lid (Gasket)                          | A          | 1150 5   | x    | ■     | x    | x     | All CM    |
| 23  | Lower Lid <small>Discontinued</small>               | 1/8 oz     | B 1095 6 | x    | x     | x    | x     | All CM    |
|     |   | 1/4 oz     | C 1095 7 | x    | ■     | x    | x     | All CM    |
| 28  | Packing Handle (O-Ring)                             | A          | 1605 1   | x    | x     | x    | ■     | All CM    |
| 29  | Micro Air Control Valve                             | D          | 1190 1   | x    | x     | x    | ■     | All CM    |
| 30  | Packing Mac Valve (O-Ring)                          | A          | 1190 2   | x    | x     | x    | ■     | All CM    |
|     | Spanner (Nozzle Wrench)                             | B          | 1165 1   | ■    | ■     | ■    | ■     | All CM    |
|     | Quick Fit Set (QD and Adaptor)                      | H          | 1160 3   | opt  | opt   | opt  | opt   | All CM    |
|     | Quick Fit Adaptor (Adaptor Only)                    | C          | 1160 4   | opt  | opt   | opt  | opt   | All CM    |
|     | Adaptor (Iwata Airbrushes to Paasche Airhose)       |            | J001     | opt  | opt   | opt  | opt   | All CM    |
|     | Adaptor (Iwata Airbrushes to T & C/Badger Airhoses) |            | J002     | opt  | opt   | opt  | opt   | All CM    |

**CA PROP 65 CALIFORNIA PROP 65 WARNING:** Certain products identified with this symbol and offered for sale in this catalog contain lead, a chemical known to the State of California to cause cancer, birth defects and other reproductive harm.

■ = yes X = no opt = optional  
\*Replacement parts not available.

Up dated 01/2024

Available from:

*Dixie Art Airbrush* • [www.dixieart.com](http://www.dixieart.com) • 800.783-2612 • 504-466-6556